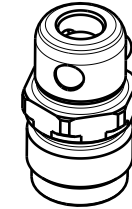
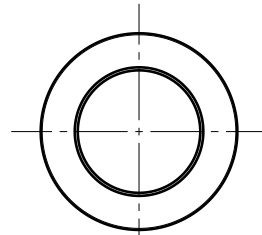
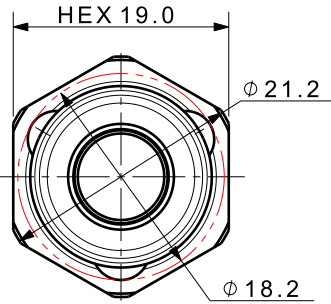


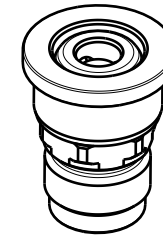
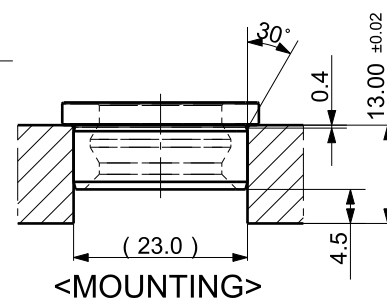
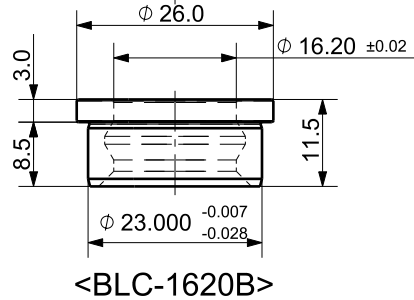
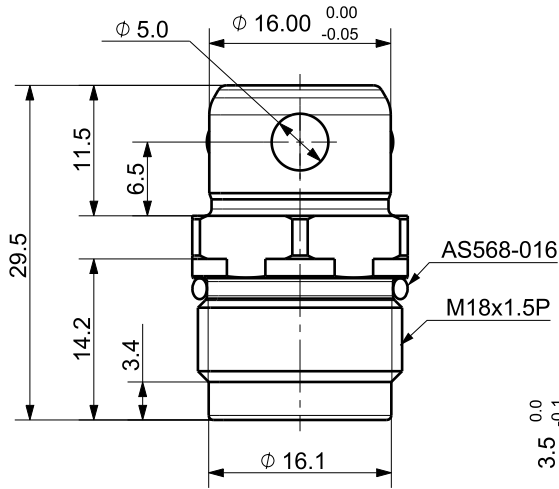
FILE NAME:

REVISIONS

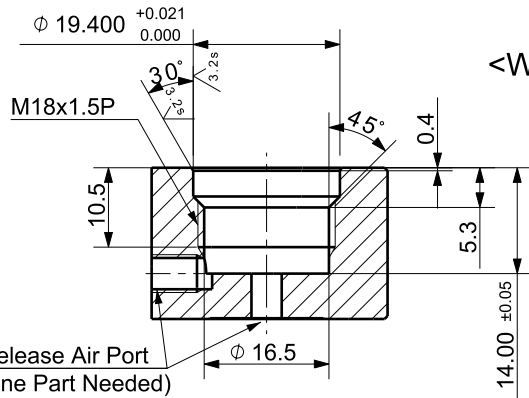
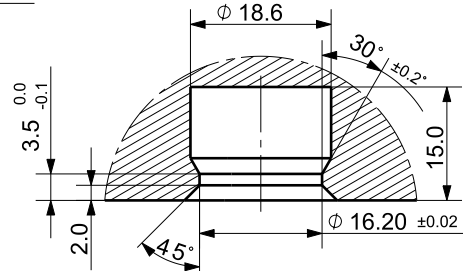
| ZONE | LTR | DESCRIPTION | DATE | APPROVED |
|------|-----|-------------|------|----------|
|      |     |             |      |          |
|      |     |             |      |          |



Isometric view (1:1)



Isometric view (1:1)  
(installed with BUSH)



| DET.NO | NAME | Q'TY | MAT'L | FINAL SIZES & PART No | REMARK |
|--------|------|------|-------|-----------------------|--------|
|        |      |      |       |                       |        |

|                            |               |          |
|----------------------------|---------------|----------|
| UNLESS OTHERWISE SPECIFIED | SIGNATURES    | MO-DA-YR |
| DIMENSIONS ARE IN MM       | DRAWN         |          |
| ALL SURFACES 6.3S          | CHECKED       |          |
| TOLERANCES                 | APPROVED      |          |
| ANGLE ±                    |               |          |
| X. ±                       |               |          |
| .X ± 0.15                  |               |          |
| .XX ± 0.05                 |               |          |
| FINISH                     | WORK ORDER NO |          |
| HEAT TREAT                 |               |          |



케이제이에프(주)  
TOTAL CLAMPING SYSTEMS

TITLE  
**BALL LOCK CYLINDER**

|                        |   |    |
|------------------------|---|----|
| REF DWG NO.<br>WKA0160 | DWG NO.<br>BLC-1620   | A4 |
| SCALE                  | TOOL <input type="checkbox"/> PART <input type="checkbox"/> SHEET | OF |