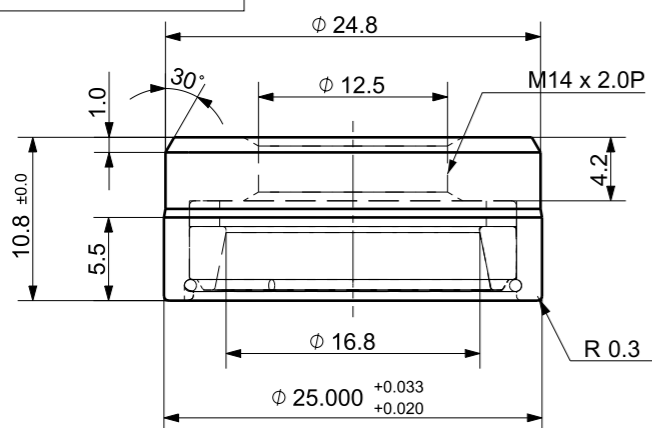


FILE NAME:

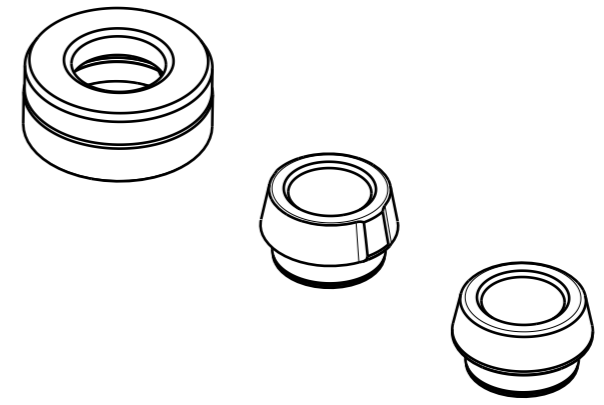
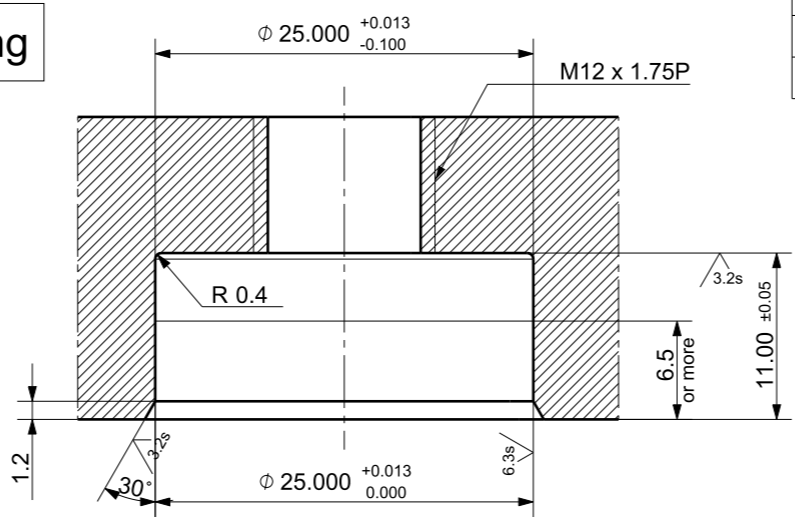
REVISIONS

ZONE	LTR	DESCRIPTION	DATE	APPROVED

Locating Bushing (SLM-1000B)

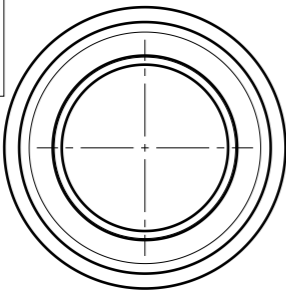


Mounting

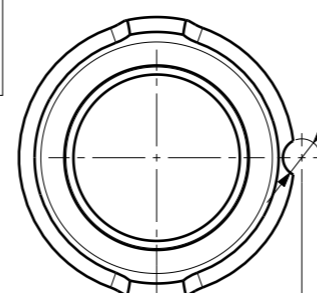


Isometric view (1:1)

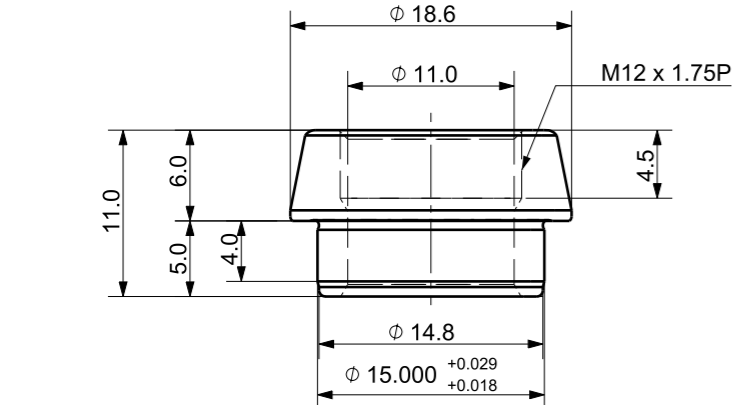
Locating Pin (SLM-1000D)



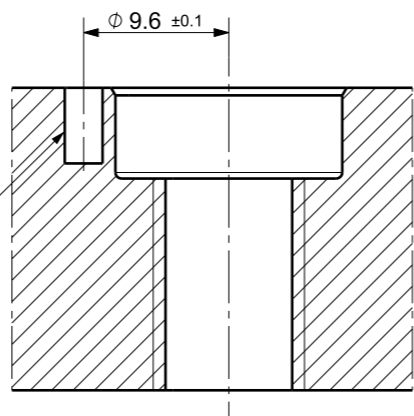
Locating Pin(CUT) (SLM-1000C)



Notch for Phase Confirmation
 $\phi 2.5 \begin{matrix} +0.2 \\ +0.1 \end{matrix}$

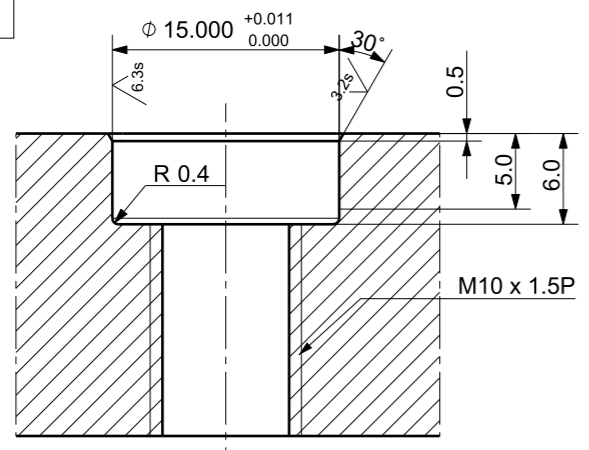


Mounting



$\phi 2.5 \begin{matrix} +0.2 \\ +0.1 \end{matrix}$ E/M
 Phase Confirmation Hole

Mounting



DET. NO	NAME	QTY	MATL	FINAL SIZES & PART No	REMARK

UNLESS OTHERWISE SPECIFIED	SIGNATURES	MO-DA-YR
DIMENSIONS ARE IN MM	DRAWN	
ALL SURFACES 6.3S	CHECKED	
TOLERANCES	APPROVED	
ANGLE		
.X ±		
.X ± 0.15		
.XX ±		
FINISH	WORK ORDER NO	
HEAT TREAT		

KJF (주)케이제이에프
 TOTAL CLAMPING SYSTEMS

TITLE
SCREW LOCATOR

REF DWG NO. --- DWG NO. **SLM-1000**

SCALE TOOL PART SHEET OF **A3**