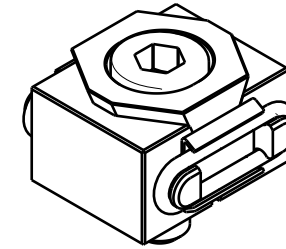
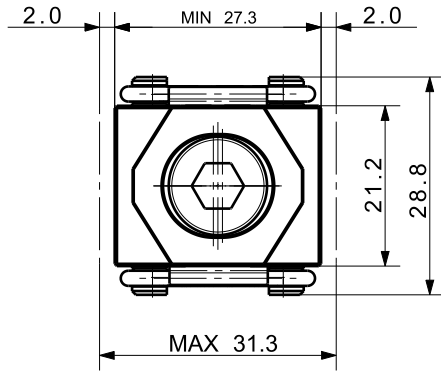
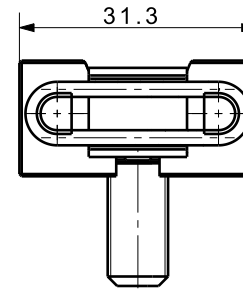
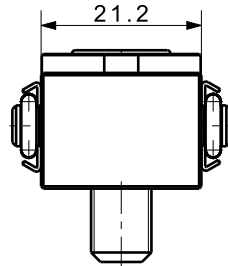
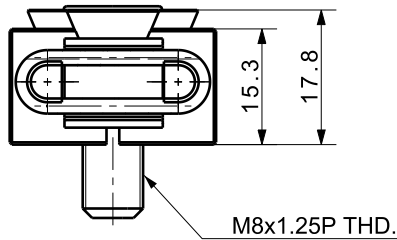



FILE NAME:



Isometric view (1:1)



Clamping State

UNLESS OTHERWISE SPECIFIED DIMENSIONS ARE IN MM ALL SURFACES 6.3S TOLERANCES ANGLE ± X ± .X ± 0.15 .XX ± 0.05	SIGNATURES	MO-DA-YR	 케이제이에프(주) TOTAL CLAMPING SYSTEMS	
	DRAWN		TITLE	
FINISH	CHECKED		SIDE TAPER CLAMP	
HEAT TREAT	APPROVED			
	WORK ORDER NO		REF DWG NO.	DWG NO.
			---	STC-0812P_-
			SCALE	TOOL <input type="checkbox"/> PART <input type="checkbox"/> SHEET OF
				A4