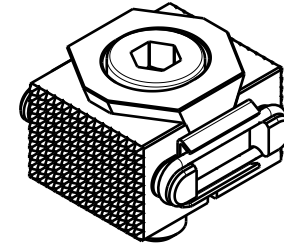
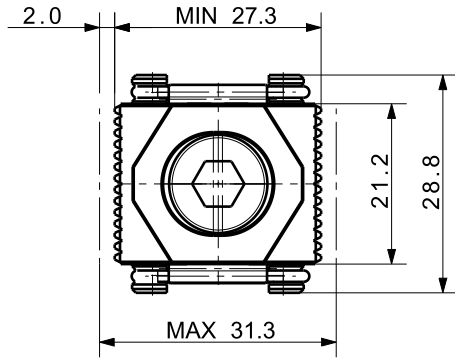
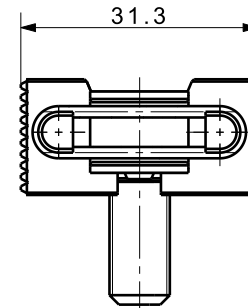
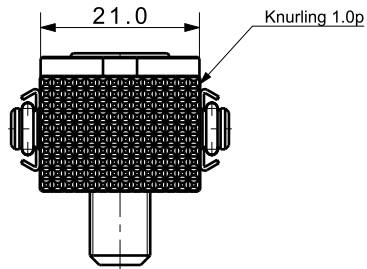
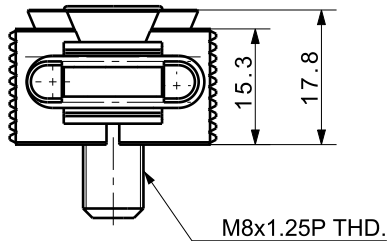



FILE NAME:



Isometric view (1:2)



Clamping State

UNLESS OTHERWISE SPECIFIED DIMENSIONS ARE IN MM ALL SURFACES TOLERANCES ANGLE ± .X ± .X ± .XX ±	SIGNATURES		MO-DA-YR		 (주)케이제이에프 TOTAL CLAMPING SYSTEMS	
	DRAWN					TITLE
	CHECKED					
	APPROVED				SIDE TAPER CLAMP	
FINISH		WORK ORDER NO		REF DWG NO.		DWG NO
HEAT TREAT				---	STC-0812_-	
				SCALE	TOOL <input type="checkbox"/> PART <input type="checkbox"/> SHEET	OF