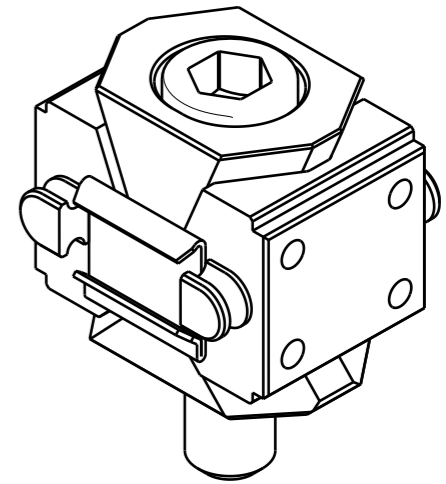
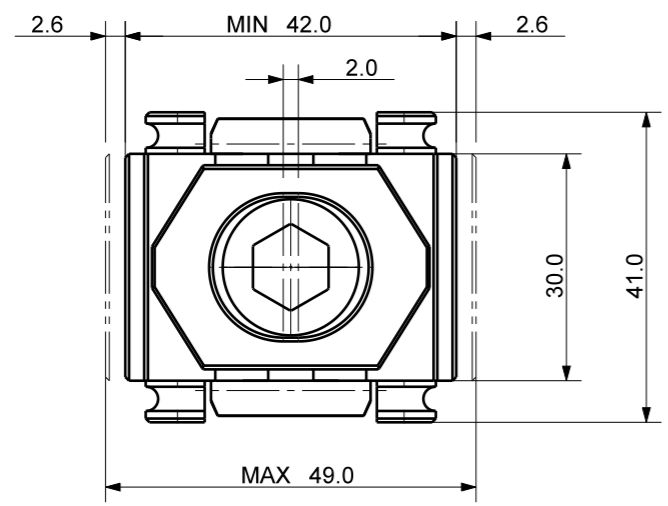
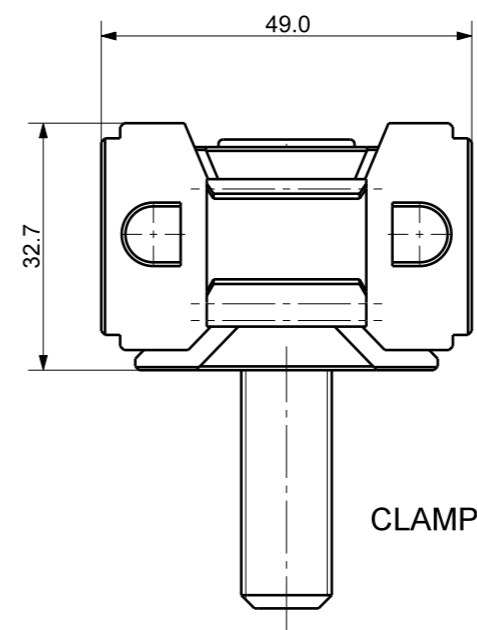
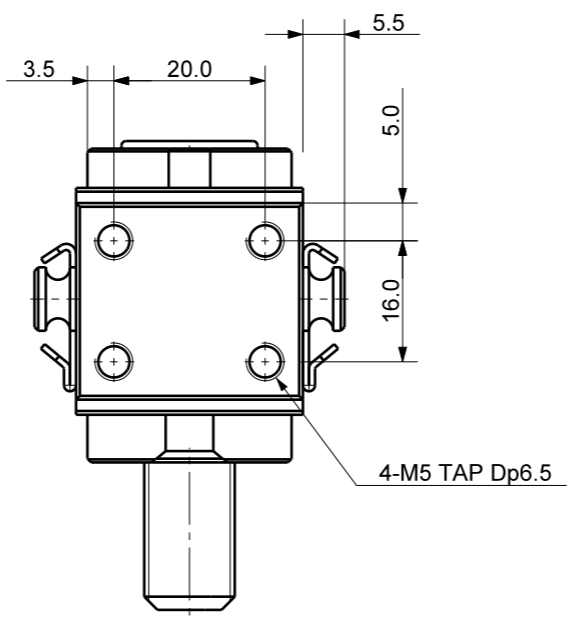
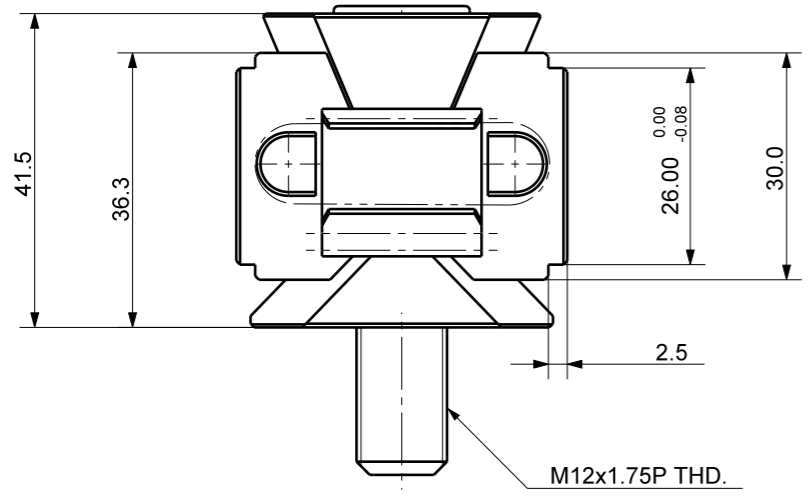


FILE NAME:

REVISIONS				
ZONE	LTR	DESCRIPTION	DATE	APPROVED



Isometric view (1:1)



CLAMP 상태 (1:1)

DET. NO	NAME	QTY	MATL	FINAL SIZES & PART No	REMARK

UNLESS OTHERWISE SPECIFIED	SIGNATURES	MO-DA-YR	 WISE CLAMP		
DIMENSIONS ARE IN MM	DRAWN				
ALL SURFACES 6.3S	CHECKED				
TOLERANCES	APPROVED				
ANGLE					
X					
.X					
.XX					
FINISH	WORK ORDER NO	REF DWG NO.	DWG NO.		
		---	STC-1223B		
HEAT TREAT		SCALE	TOOL	PART	SHEET

A3