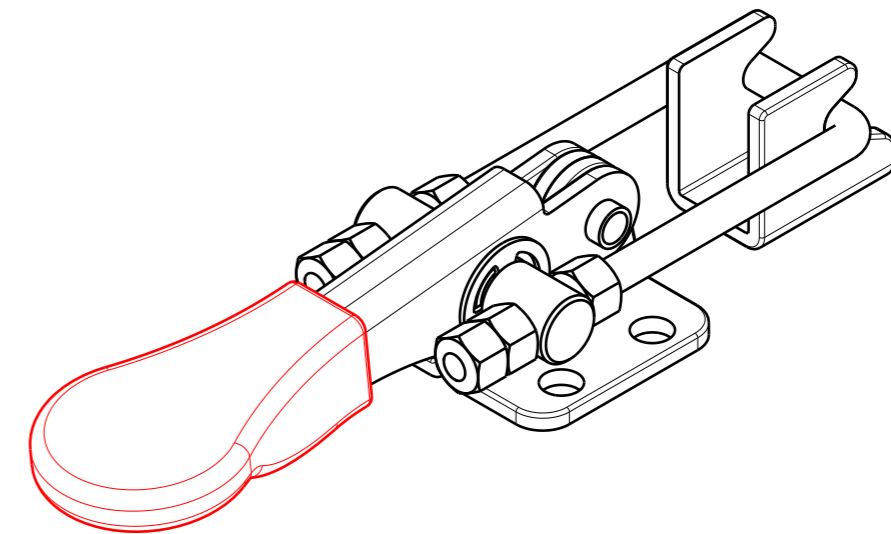
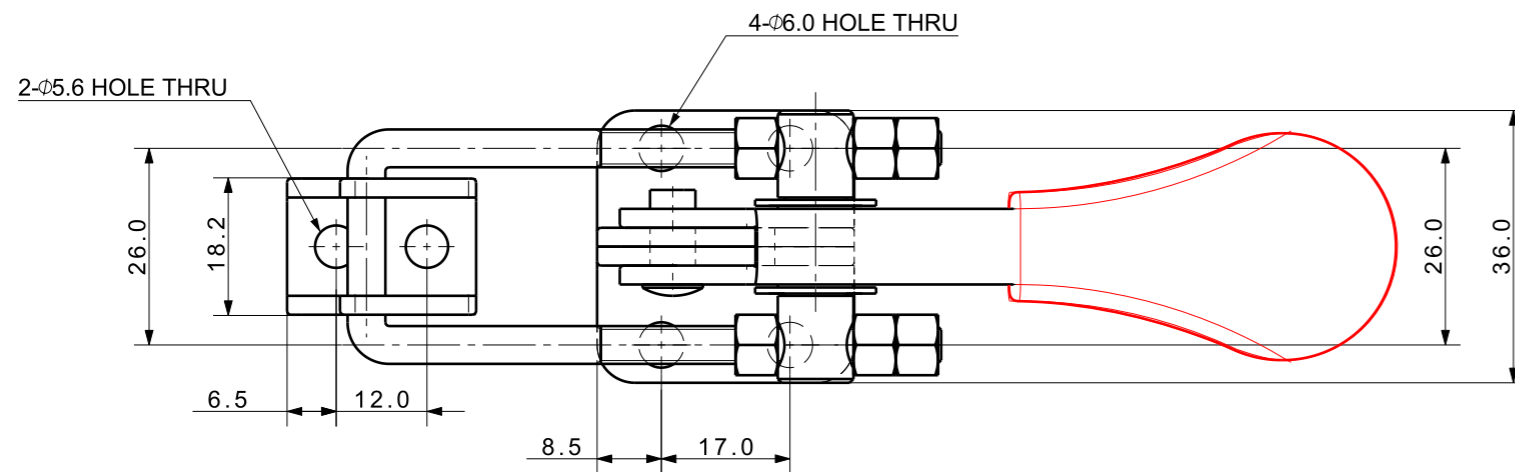
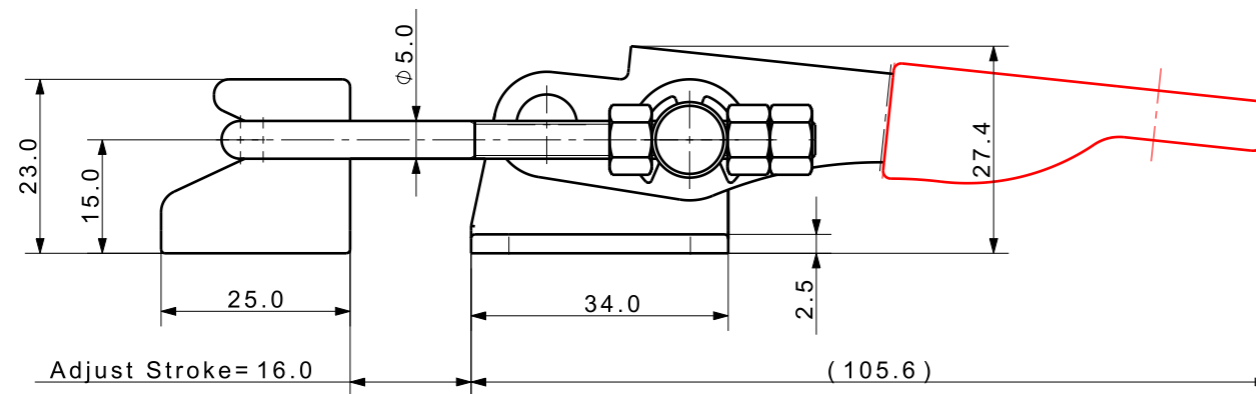


FILE NAME:

REVISIONS				
ZONE	LTR	DESCRIPTION	DATE	APPROVED



Isometric view (1:1)



- 주 기)
 1. Adjust Stroke : 16.0mm
 2. STAINLESS STEEL

DET. NO	NAME	QTY	MAT'L	FINAL SIZES & PART No	REMARK
UNLESS OTHERWISE SPECIFIED		SIGNATURES		MO-DA-YR	
DIMENSIONS ARE IN MM		DRAWN			
ALL SURFACES 6.3S		CHECKED			
TOLERANCES		APPROVED		TITLE	
ANGLE				케이제이에프(주) TOTAL CLAMPING SYSTEMS TOGGLE CLAMP (LATCH TYPE)	
X ±					
.X ± 0.15					
.XX ±					
FINISH --		WORK ORDER NO		REF DWG NO.	DWG NO
HEAT TREAT --				---	KJF- 025-41FS_- A3
				SCALE /	TOOL <input type="checkbox"/> PART <input type="checkbox"/> SHEET <input type="checkbox"/> OF