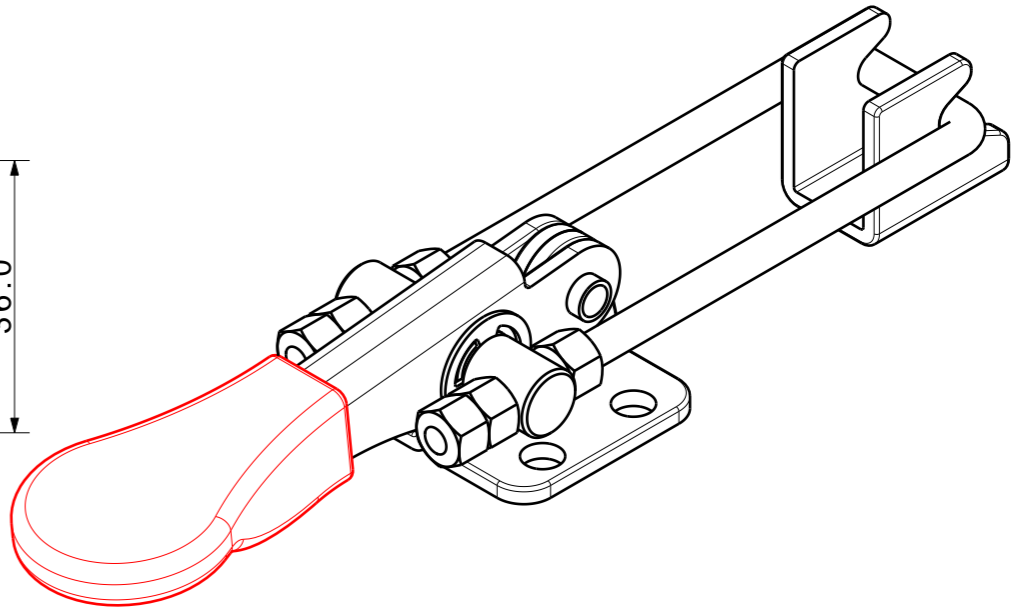
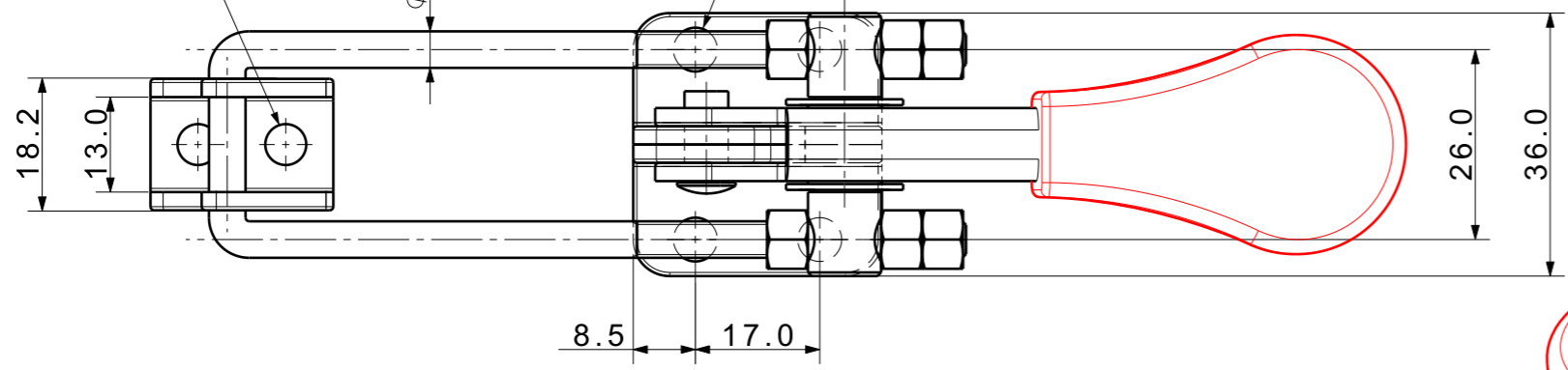


FILE NAME:

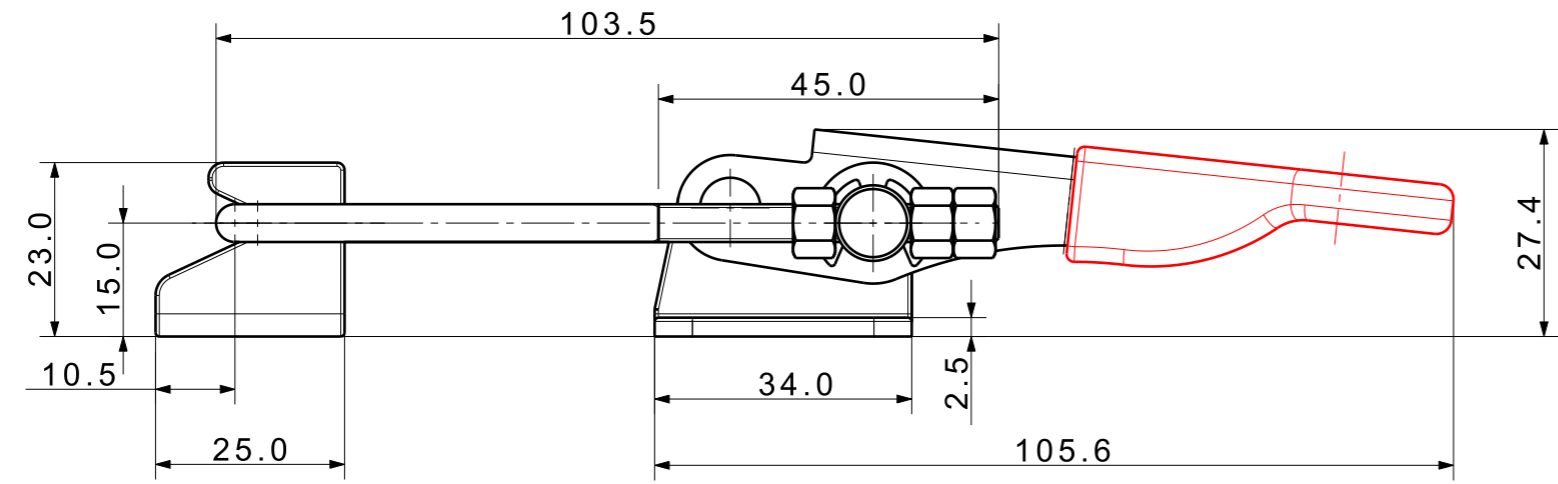
2- ϕ 5.6 HOLE THRU

4- ϕ 6.0 HOLE THRU


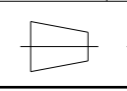
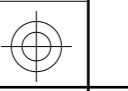
ϕ 5.0



Isometric view (1:1)



- 주 기)
 1. Adjust Stroke : 41.0mm
 2. STAINLESS STEEL

UNLESS OTHERWISE SPECIFIED		SIGNATURES		MO-DA-YR		 (주)케이제이에프 TOTAL CLAMPING SYSTEMS					
DIMENSIONS ARE IN MM		DRAWN						TITLE			
ALL SURFACES 6.3S		CHECKED				TOGGLE CLAMP (LATCH TYPE)					
TOLERANCES		APPROVED									
ANGLE		 				REF DWG NO.					
X ±						DWG NO.					
.X ± 0.15						---		KJF- 025-42FS		A3	
.XX ±						WORK ORDER NO		SCALE		TOOL <input type="checkbox"/> PART <input type="checkbox"/> SHEET <input type="checkbox"/> OF	
FINISH		---		---							
HEAT TREAT		---		---							