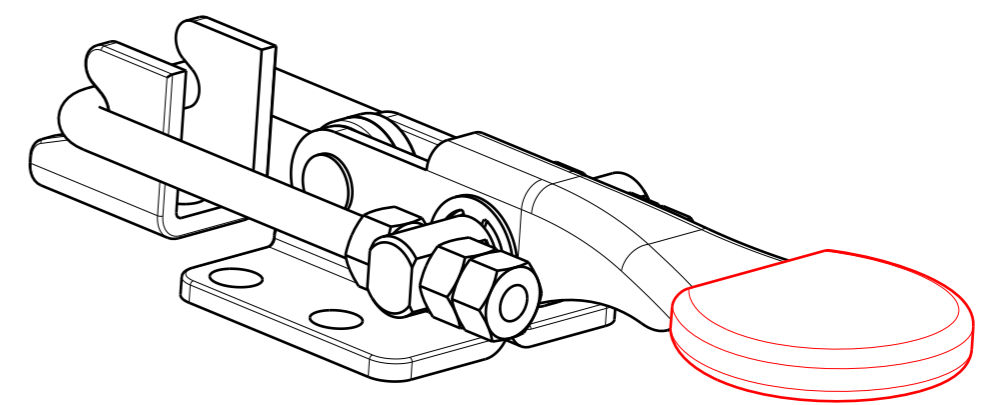
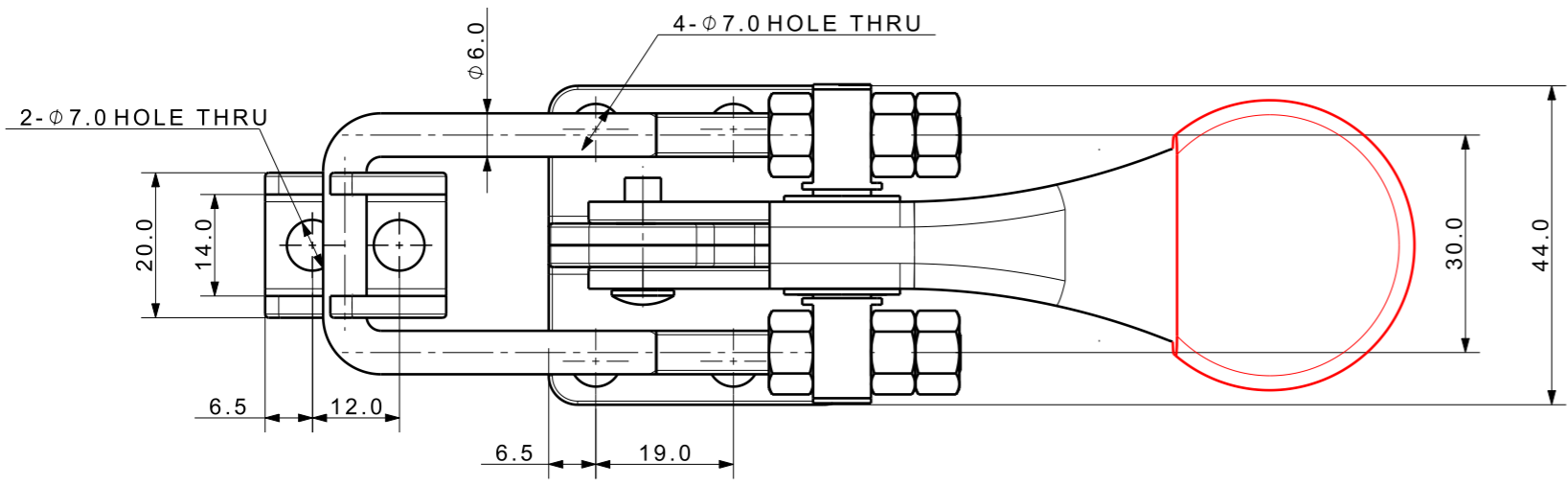
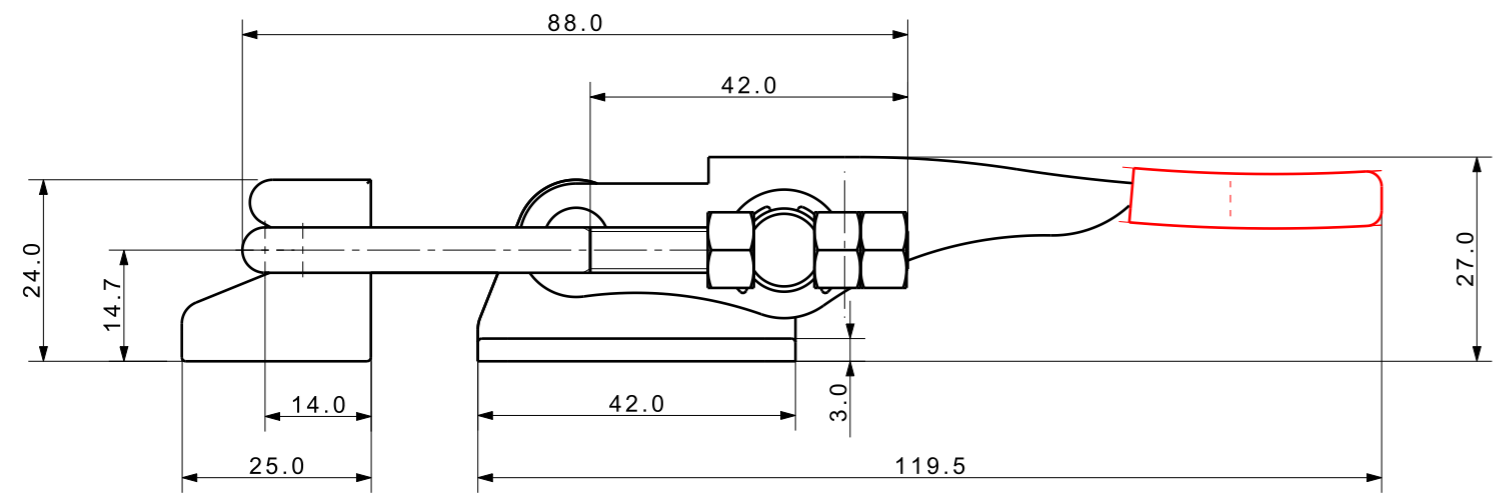



FILE NAME:



Isometric view (1:1)



UNLESS OTHERWISE SPECIFIED	SIGNATURES	MO-DA-YR	 (주)케이제이에프 TOTAL CLAMPING SYSTEMS	
DIMENSIONS ARE IN MM	DRAWN			
ALL SURFACES	CHECKED		TITLE	
TOLERANCES	APPROVED		TOGGLE CLAMP (LATCH TYPE)	
ANGLE ±				
X ±			REF DWG NO.	DWG NO.
.X ±			---	KJF- 032-41FAS
.XX ±			SCALE	TOOL <input type="checkbox"/> PART <input type="checkbox"/> SHEET <input type="checkbox"/> OF
FINISH	WORK ORDER NO			A3
HEAT TREAT				