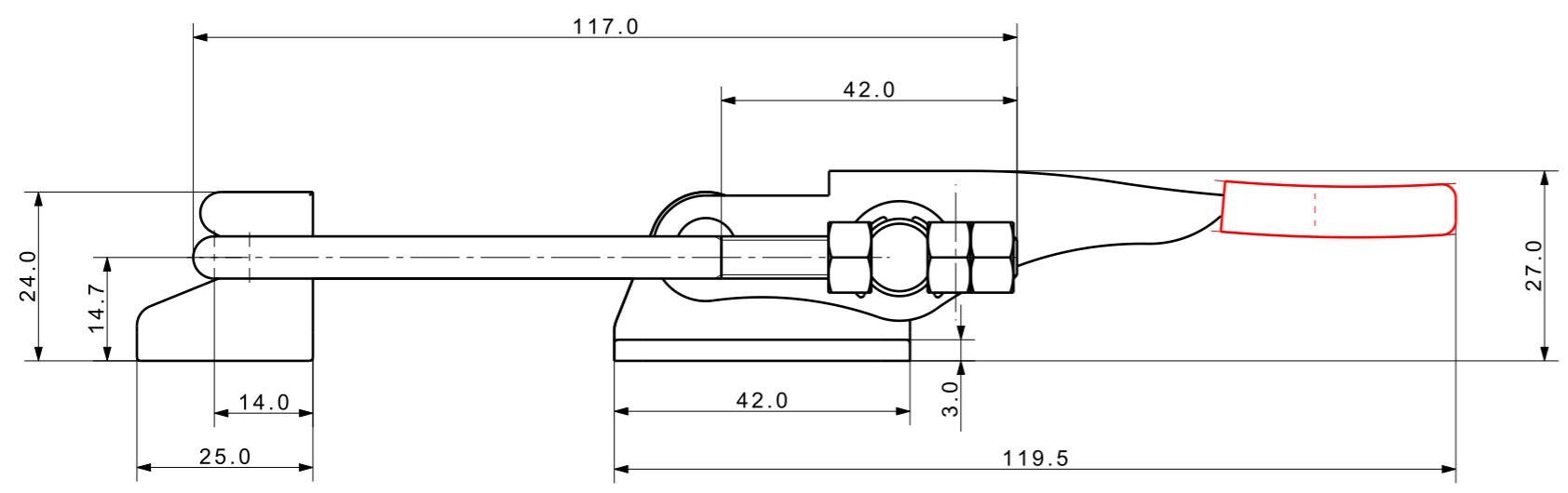

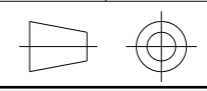


Isometric view (1:1)



UNLESS OTHERWISE SPECIFIED		SIGNATURES		MO-DA-YR	 (주)케이제이에프 TOTAL CLAMPING SYSTEMS	
DIMENSIONS ARE IN MM		DRAWN				TITLE <b>TOGGLE CLAMP</b> (LATCH TYPE)
ALL SURFACES		CHECKED				
TOLERANCES		APPROVED			REF DWG NO. ---	
ANGLE	±			DWG NO.		<b>KJF- 032-42FAS</b>
.X	±			WORK ORDER NO.	OF	
.X	±					SCALE <input checked="" type="checkbox"/>
.XX	±			PART <input type="checkbox"/>	SHEET	
FINISH		SHEET OF				<b>A3</b>
HEAT TREAT						