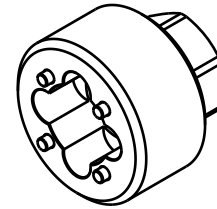


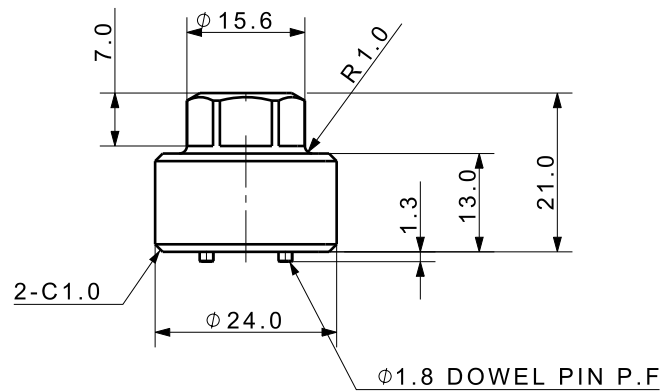
FILE NAME:

REVISIONS

ZONE	LTR	DESCRIPTION	DATE	APPROVED



Isometric view (1:1)



DET.NO	NAME	Q'TY	MAT'L	FINAL SIZES & PART No	REMARK

UNLESS OTHERWISE SPECIFIED	SIGNATURES	MO-DA-YR
DIMENSIONS ARE IN MM	DRAWN	
ALL SURFACES 6.3S	CHECKED	
TOLERANCES	APPROVED	
ANGLE $\pm$		
X. $\pm$		
.X $\pm 0.15$		
.XX $\pm 0.05$		
FINISH	WORK ORDER NO	REF DWG NO.
HEAT TREAT		DWG NO



TITLE

# ASSY TOOL

SCALE	TOOL <input type="checkbox"/>	PART <input type="checkbox"/>	SHEET	OF

ATL-0010 A4