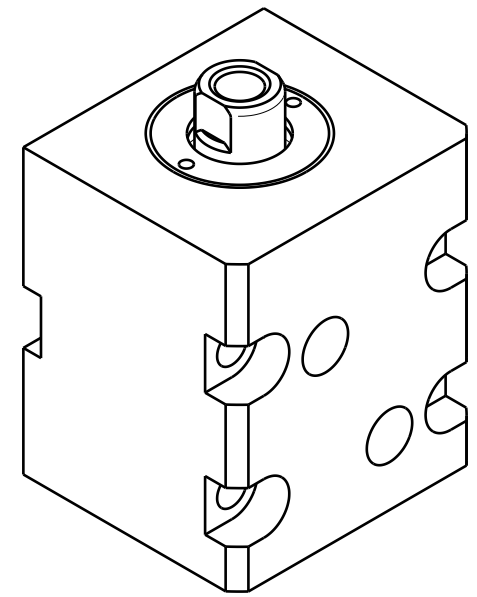
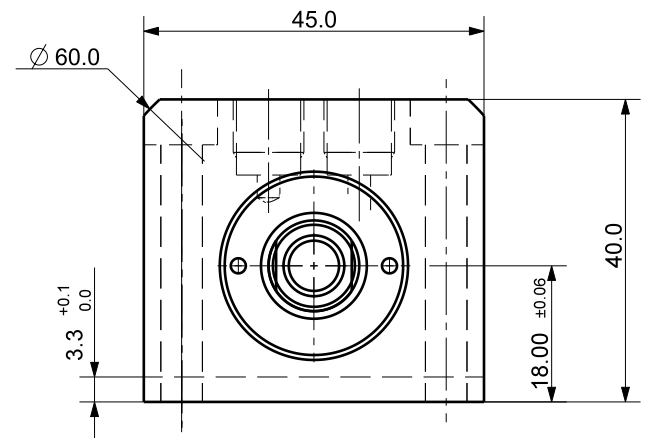
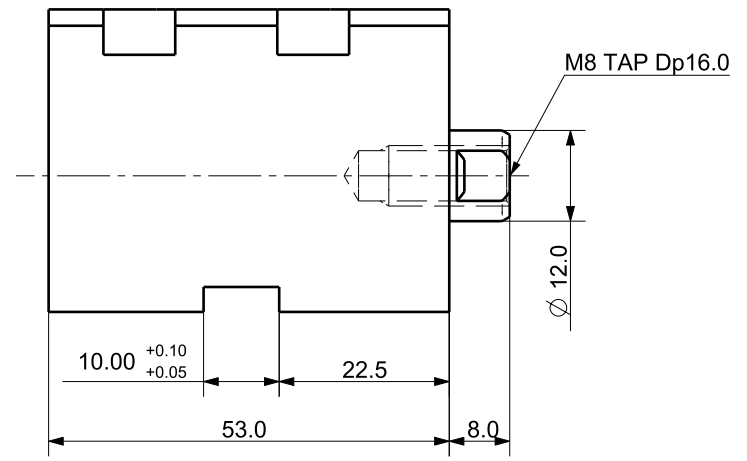
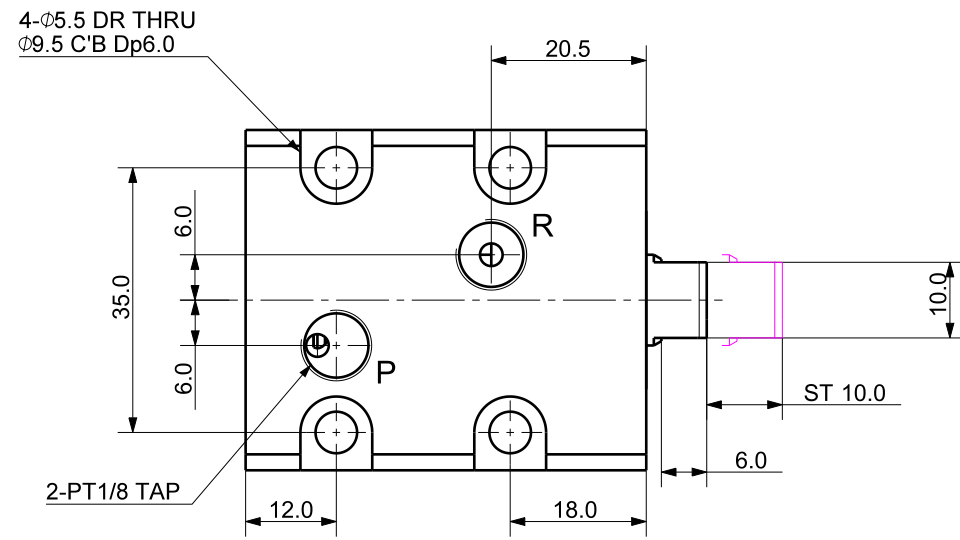


FILE NAME:

REVISIONS				
ZONE	LTR	DESCRIPTION	DATE	APPROVED



Isometric view (1:1)

DET. NO	NAME	QTY	MAT'L	FINAL SIZES & PART No	REMARK

UNLESS OTHERWISE SPECIFIED DIMENSIONS ARE IN MM ALL SURFACES 6.3S TOLERANCES ANGLE ± .X ± .XX ± 0.15 ±	SIGNATURES	MO-DA-YR	케이제이에프(주) TOTAL CLAMPING SYSTEMS  <h2 style="text-align: center;">BLOCK CLAMP</h2>		
	DRAWN				
	CHECKED				
	APPROVED				
FINISH	WORK ORDER NO	REF DWG NO.	DWG NO.		
HEAT TREAT		---	BDH-2010_B		A3
		SCALE	TOOL	PART	SHEET OF