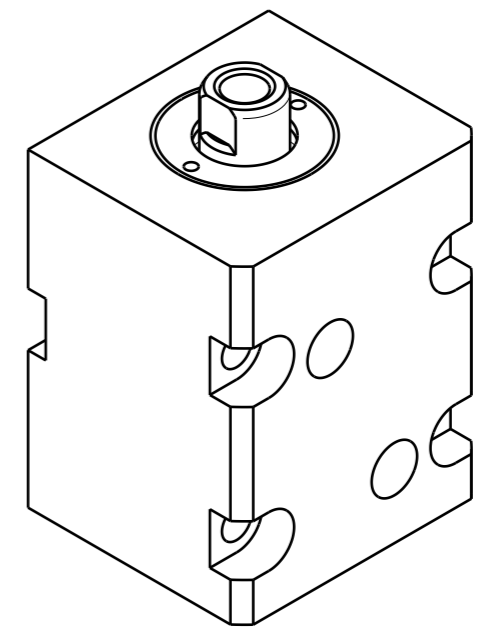
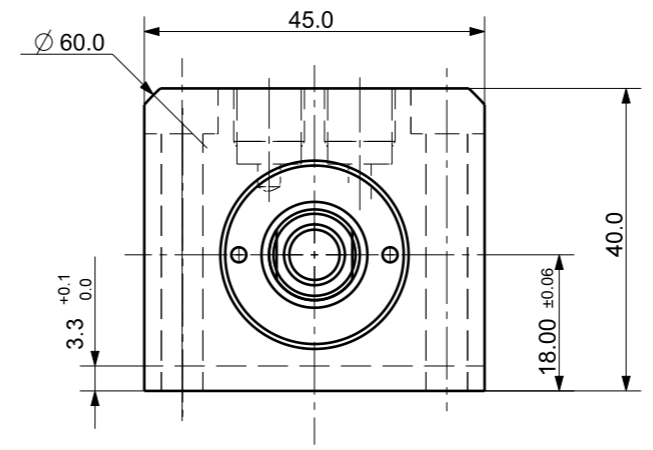
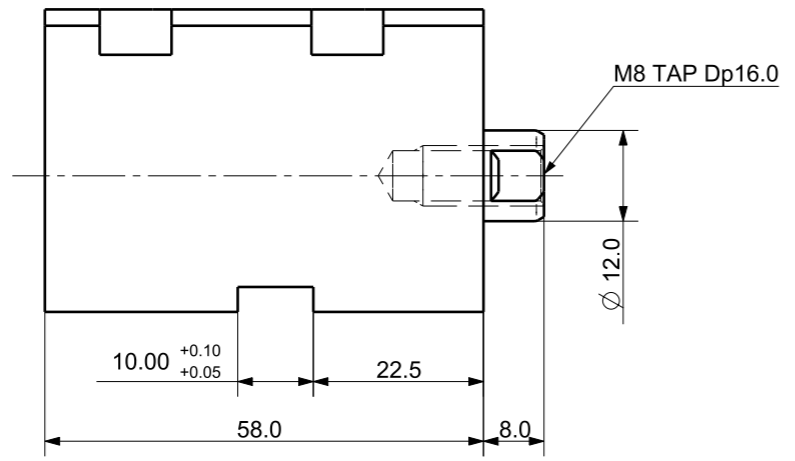
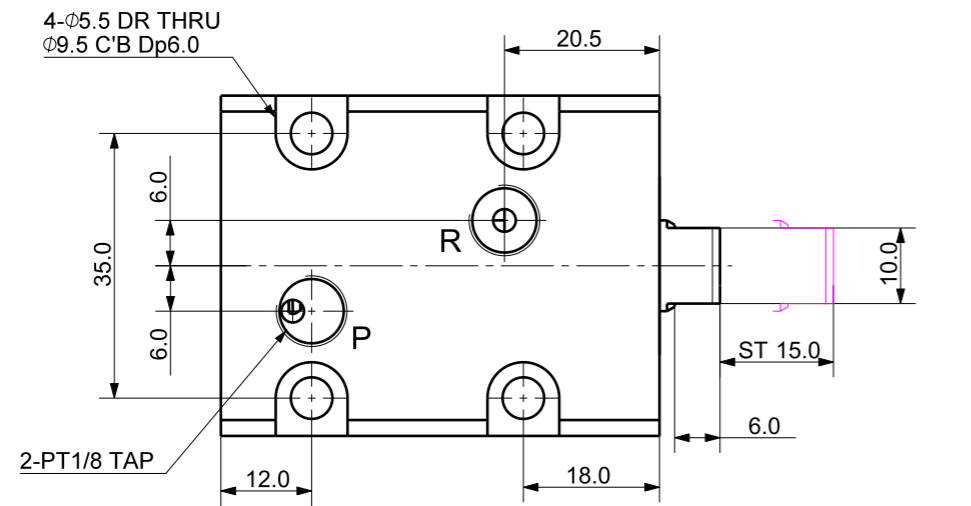



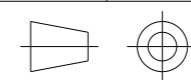
FILE NAME:

REVISIONS				
ZONE	LTR	DESCRIPTION	DATE	APPROVED



Isometric view (1:1)

DET. NO	NAME	QTY	MAT'L	FINAL SIZES & PART No	REMARK

UNLESS OTHERWISE SPECIFIED	SIGNATURES	MO-DA-YR	 케이제이에프(주) TOTAL CLAMPING SYSTEMS BLOCK CLAMP		
DIMENSIONS ARE IN MM	DRAWN				
ALL SURFACES 6.3S	CHECKED				
TOLERANCES	APPROVED				
ANGLE			REF DWG NO.	DWG NO.	A3
X. \pm			---	BDH-2015_B	
.X \pm 0.15			WORK ORDER NO	SCALE	TOOL <input type="checkbox"/> PART <input type="checkbox"/> SHEET <input type="checkbox"/> OF
.XX \pm			---	---	
FINISH	---		---	---	---
HEAT TREAT	---		---	---	---