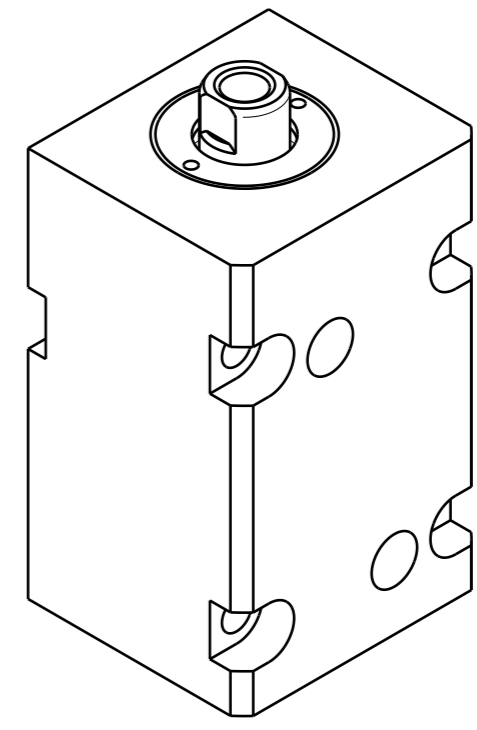
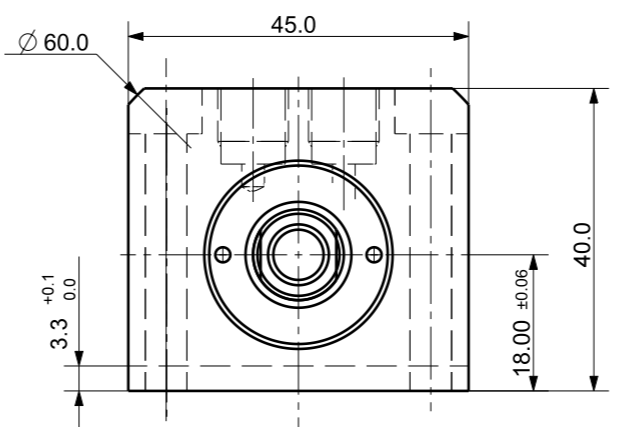
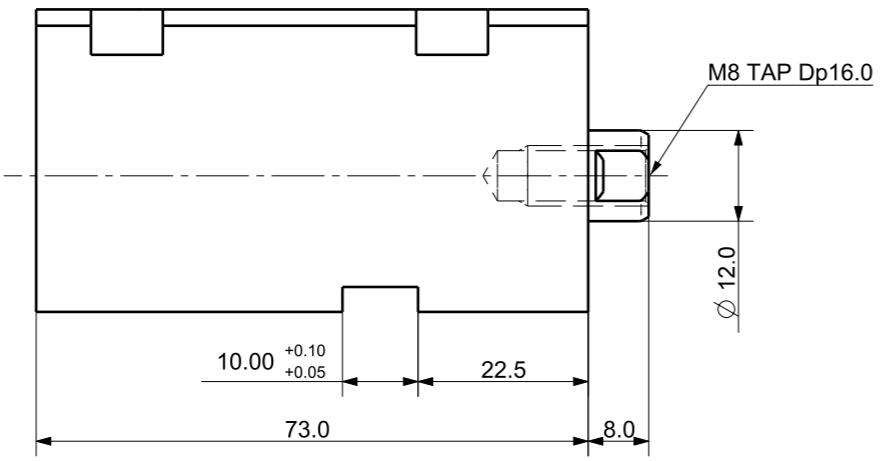
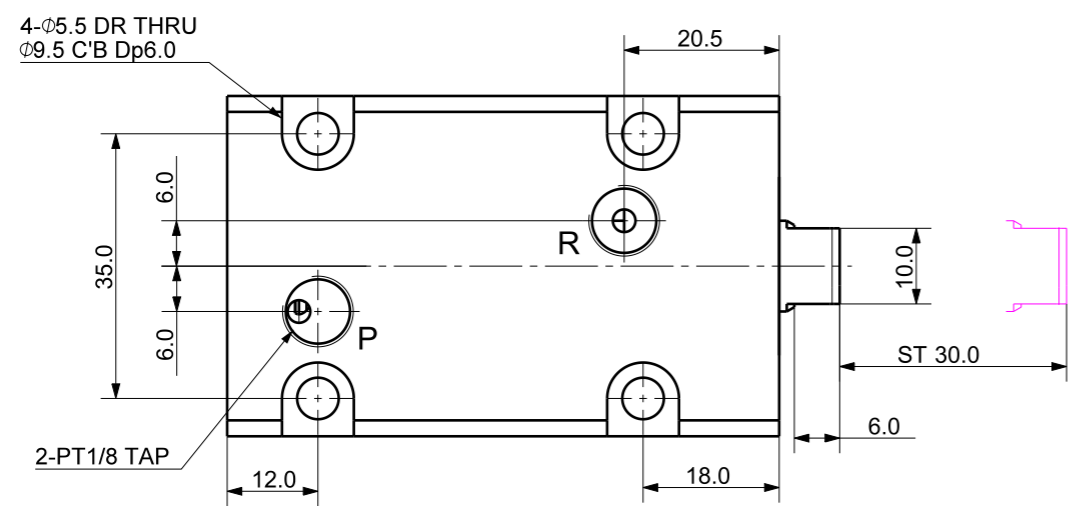



FILE NAME:

REVISIONS				
ZONE	LTR	DESCRIPTION	DATE	APPROVED



Isometric view (1:1)

DET. NO	NAME	QTY	MAT'L	FINAL SIZES & PART No	REMARK

UNLESS OTHERWISE SPECIFIED DIMENSIONS ARE IN MM ALL SURFACES 6.3S TOLERANCES ANGLE \pm .X \pm .X \pm 0.15 .XX \pm FINISH ---- HEAT TREAT ----	SIGNATURES	MO-DA-YR	 케이제이에프(주) TOTAL CLAMPING SYSTEMS BLOCK CLAMP				
	DRAWN						
	CHECKED						
	APPROVED						
	WORK ORDER NO		REF DWG NO.	DWG NO.			
			---	BDH-2030_B	A3		
			SCALE	TOOL	PART	SHEET	OF