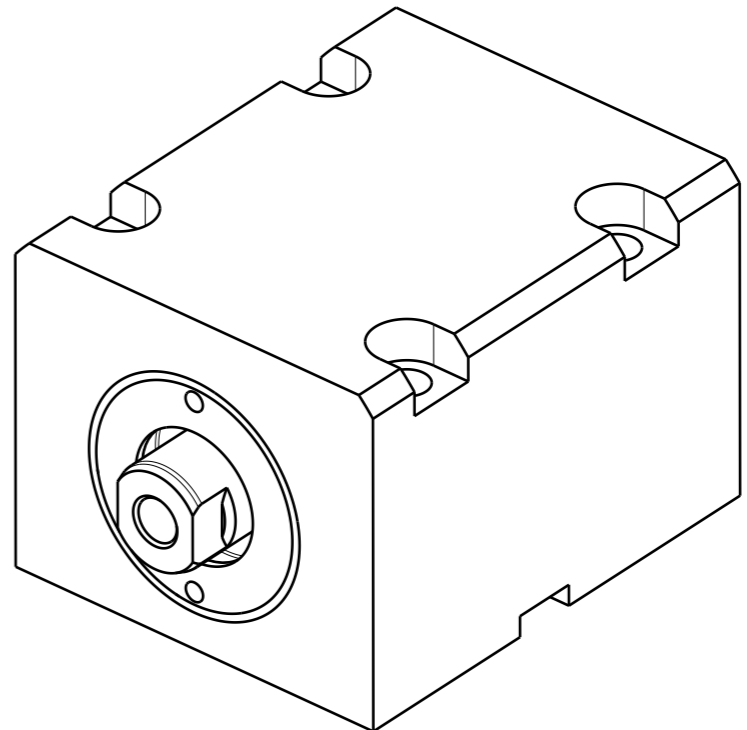
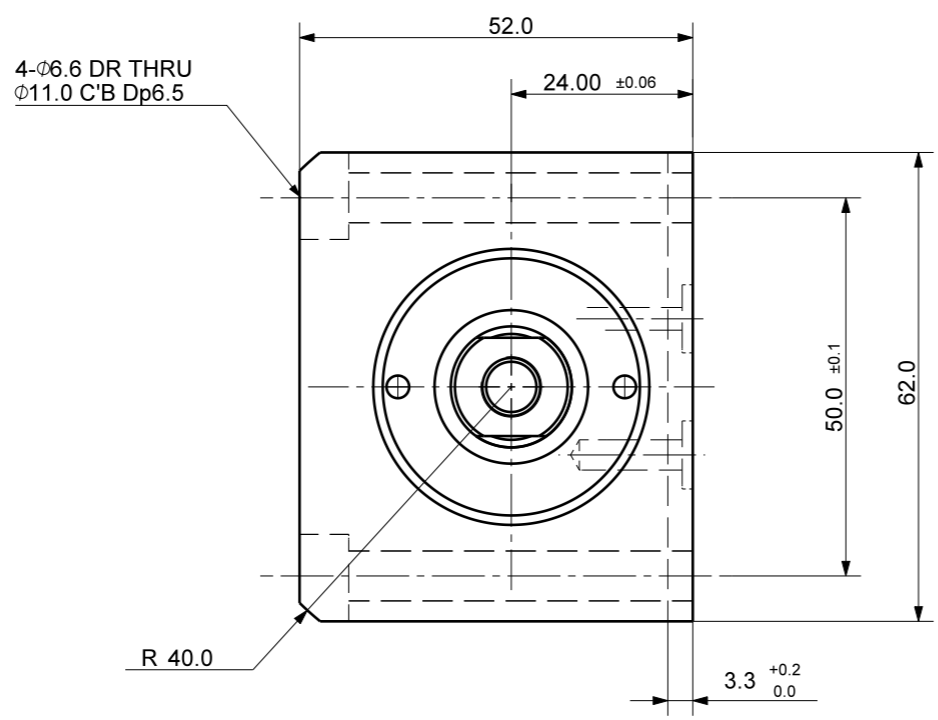


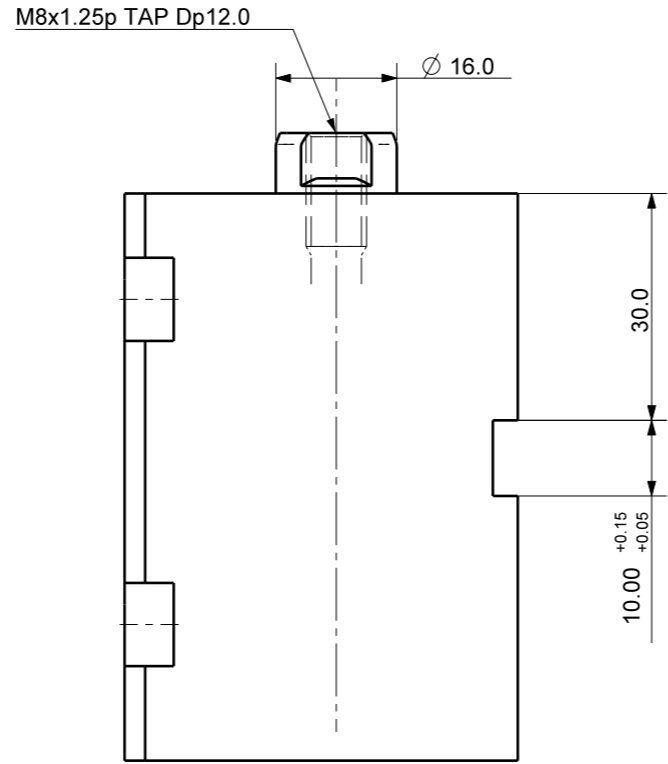
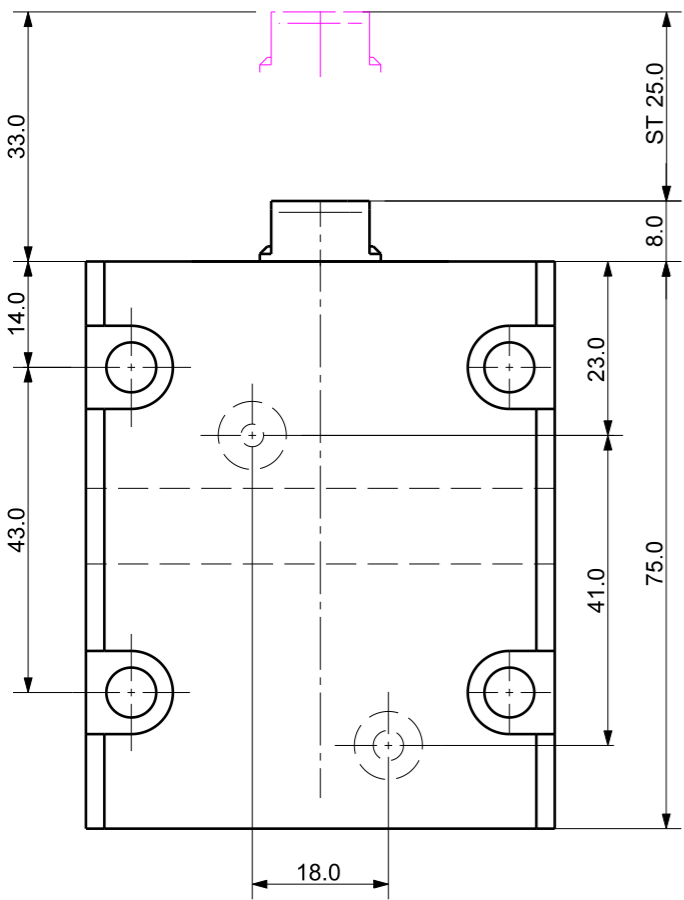
FILE NAME:

REVISIONS

ZONE	LTR	DESCRIPTION	DATE	APPROVED



Isometric view (1:1)



DET. NO	NAME	QTY	MAT'L	FINAL SIZES & PART No	REMARK
UNLESS OTHERWISE SPECIFIED	SIGNATURES	MO-DA-YR			
DIMENSIONS ARE IN MM	DRAWN OK Y.S	01-10-18			
ALL SURFACES 6.3S	CHECKED				
TOLERANCES	APPROVED				
ANGLE			BLOCK CLAMP		
X. ±					
.X ± 0.15			WORK ORDER NO	REF DWG NO.	DWG NO
.XX ±				---	BDH-2825G_-
FINISH				SCALE	TOOL <input type="checkbox"/> PART <input type="checkbox"/> SHEET <input type="checkbox"/> OF
BLOCK OXIDE					
HEAT TREAT					
HRC18~22					

A3