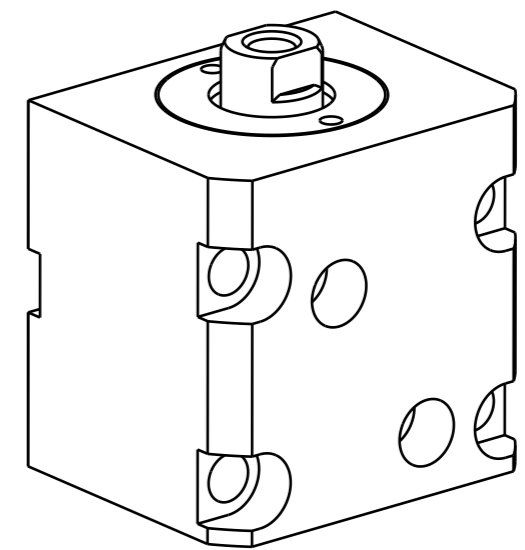
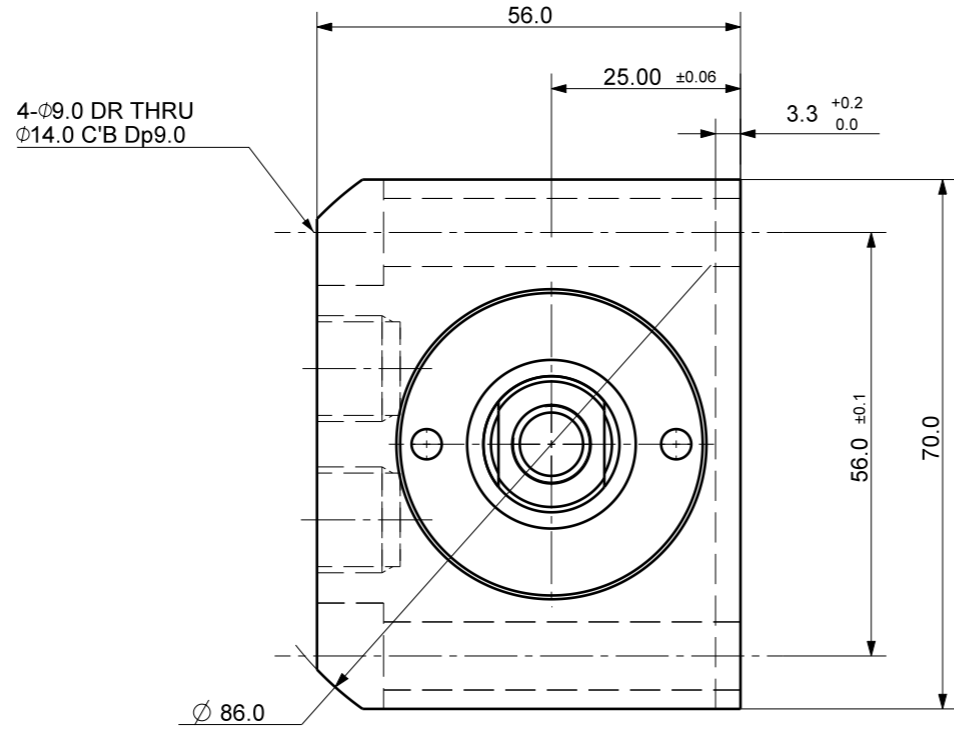
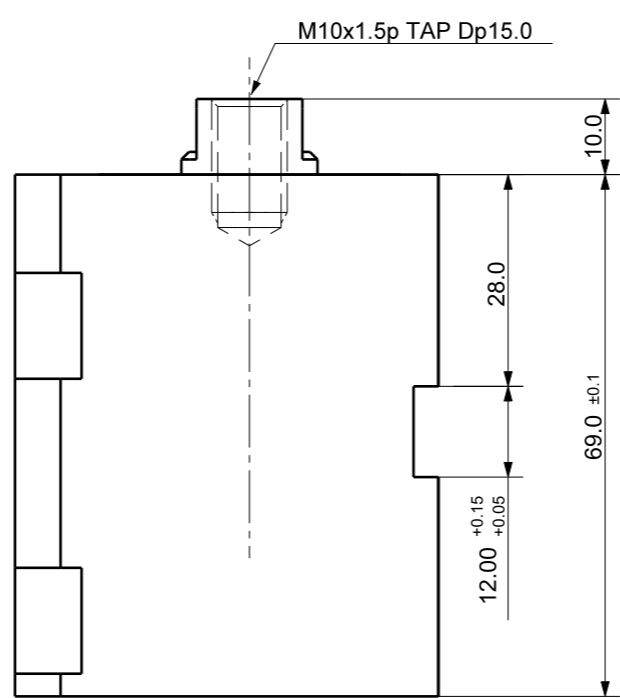
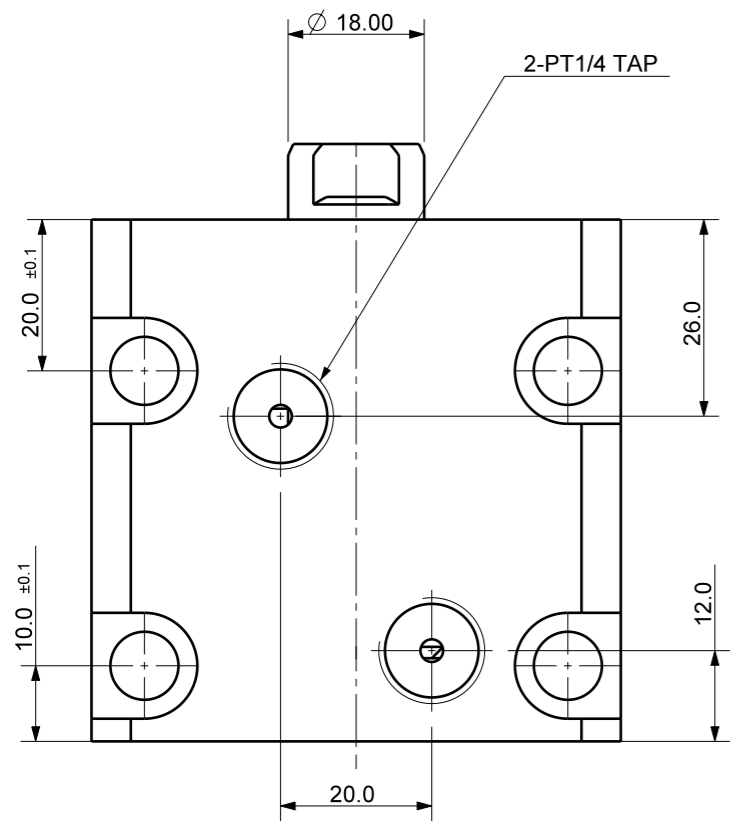


FILE NAME:

REVISIONS				
ZONE	LTR	DESCRIPTION	DATE	APPROVED



Isometric view (3:4)



DET. NO	NAME	QTY	MAT'L	FINAL SIZES & PART No	REMARK

UNLESS OTHERWISE SPECIFIED

DIMENSIONS ARE IN MM

ALL SURFACES 6.3S

TOLERANCES

ANGLE ±

X ±

.X ± 0.15

.XX ±

FINISH

HEAT TREAT

SIGNATURES	MO-DA-YR
DRAWN	
CHECKED	
APPROVED	

**KJF** 케이제이에프(주)  
TOTAL CLAMPING SYSTEMS

TITLE

# BLOCK CLAMP

WORK ORDER NO	REF DWG NO.	DWG NO	SCALE	TOOL	PART	SHEET	OF
	---	BDH-3215		<input type="checkbox"/>	<input type="checkbox"/>		

A3