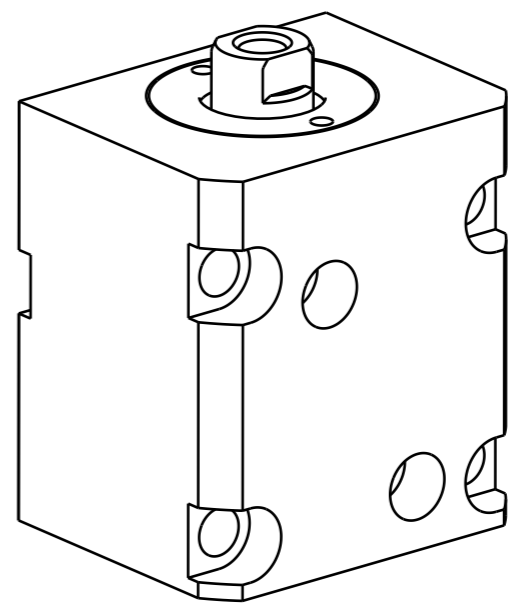
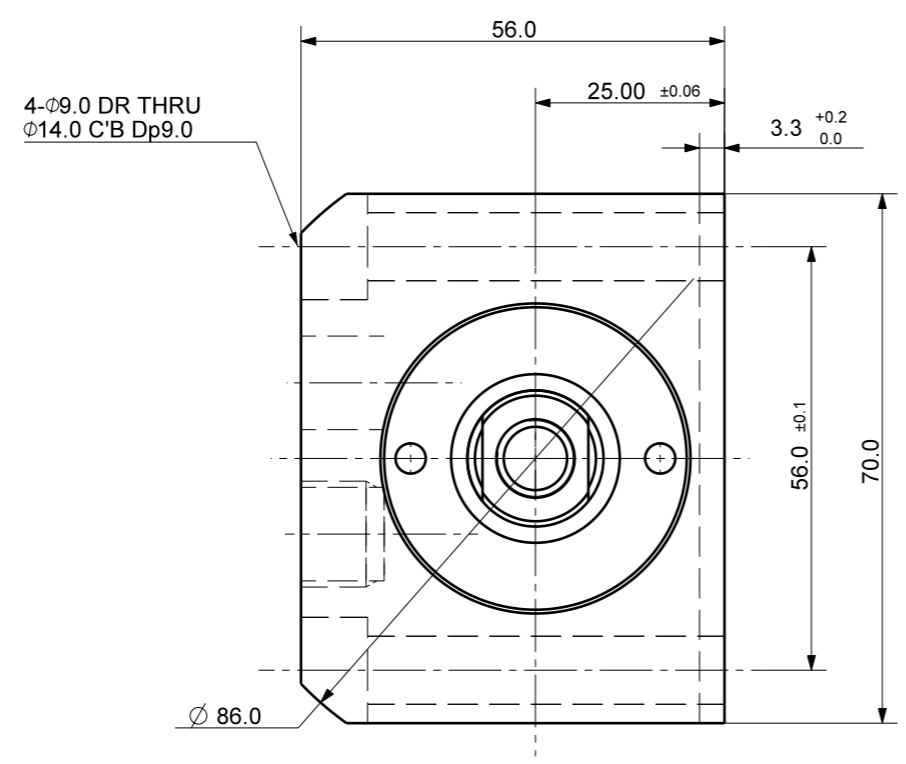
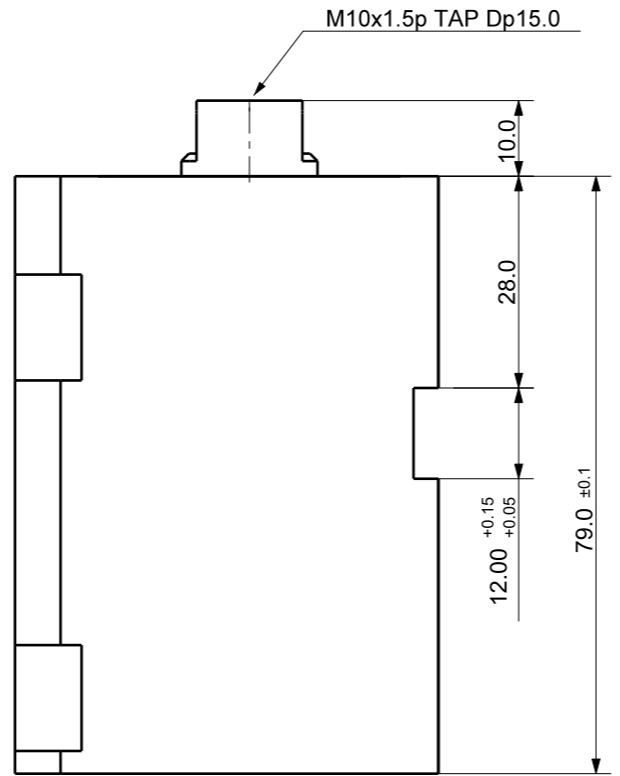
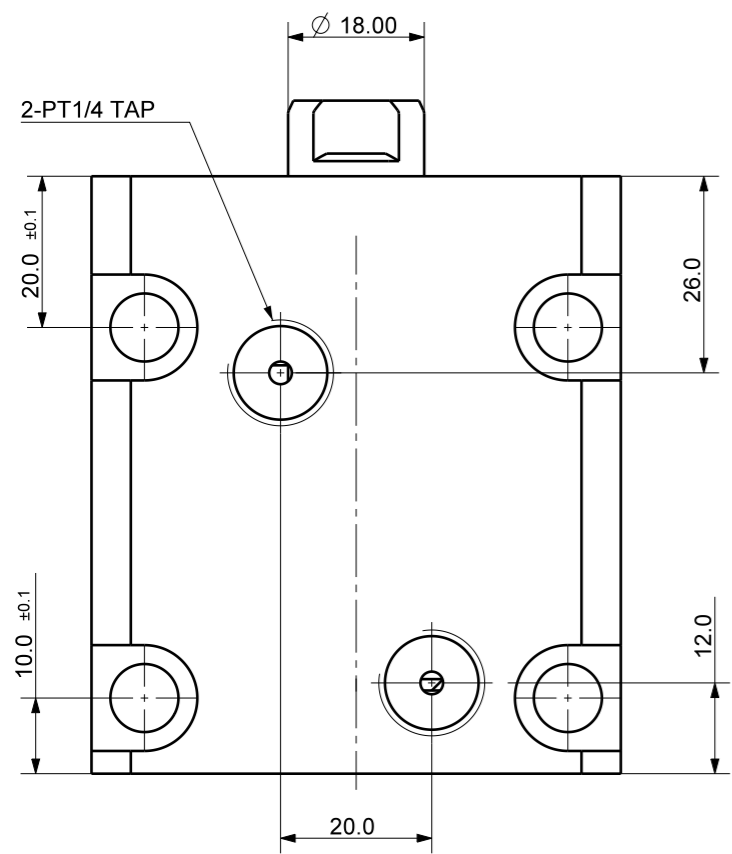


FILE NAME:

REVISIONS				
ZONE	LTR	DESCRIPTION	DATE	APPROVED



Isometric view (3:4)



DET. NO	NAME	QTY	MAT'L	FINAL SIZES & PART No	REMARK
UNLESS OTHERWISE SPECIFIED		SIGNATURES		MO-DA-YR	
DIMENSIONS ARE IN MM		DRAWN		TITLE	
ALL SURFACES 6.3S		CHECKED		BLOCK CLAMP	
TOLERANCES		APPROVED		REF DWG NO.	
ANGLE		WORK ORDER NO		DWG NO	
X ±				BDH-3225_-	
.X ± 0.15				A3	
.XX ±				SCALE	
FINISH				TOOL <input type="checkbox"/> PART <input type="checkbox"/> SHEET <input type="checkbox"/> OF	
HEAT TREAT					



BLOCK CLAMP

BDH-3225_-

A3