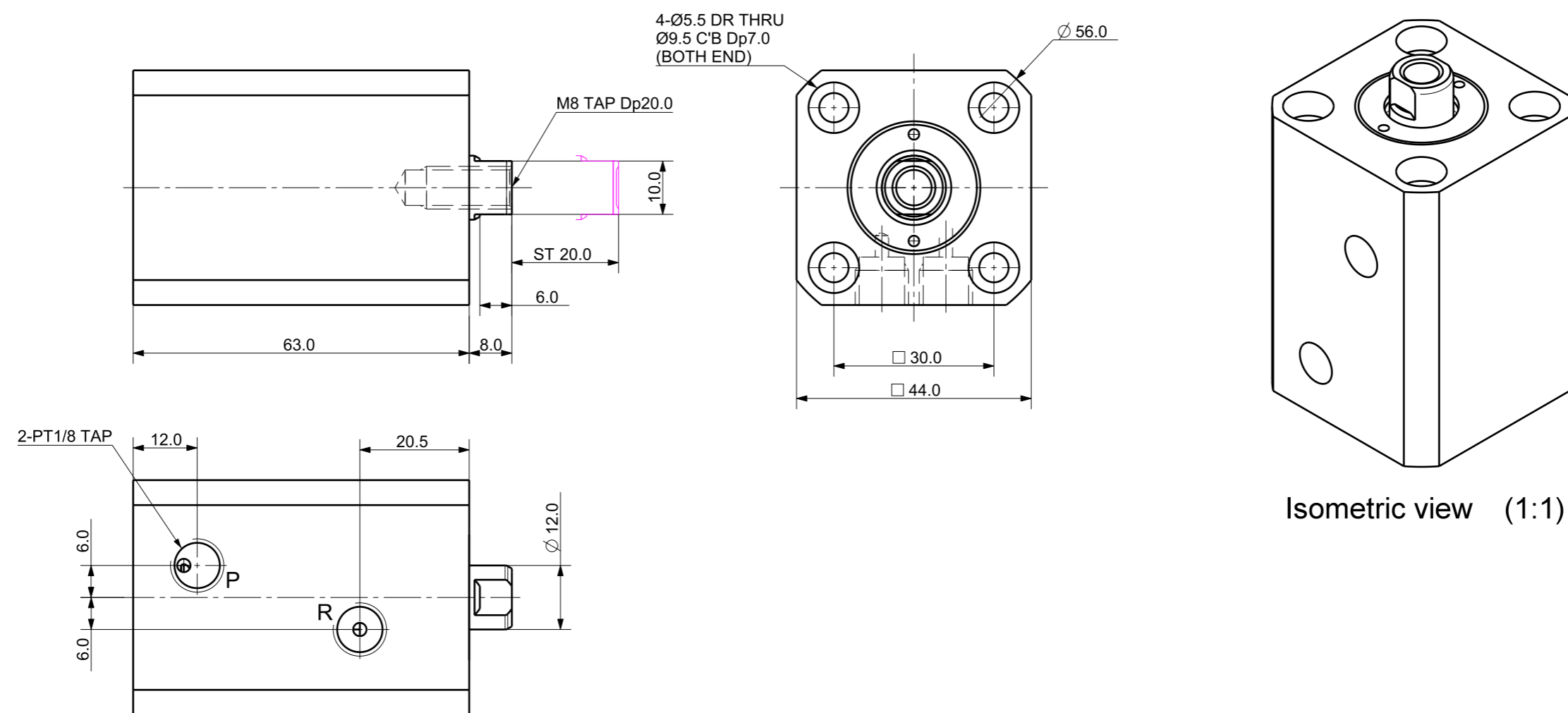


FILE NAME:


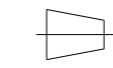

REVISIONS				
ZONE	LTR	DESCRIPTION	DATE	APPROVED



Isometric view (1:1)

DET. NO	NAME	QTY	MAT'L	FINAL SIZES & PART No	REMARK

UNLESS OTHERWISE SPECIFIED	SIGNATURES	MO-DA-YR	 <b>케이제이에프(주)</b> TOTAL CLAMPING SYSTEMS					
DIMENSIONS ARE IN MM	DRAWN					TITLE <h2 style="text-align: center;">BLOCK CLAMP</h2>		
ALL SURFACES 6.3S	CHECKED							
TOLERANCES	APPROVED							
ANGLE			 					
X ±								
.X ± 0.15								
.XX ±								
FINISH								
HEAT TREAT								

WORK ORDER NO	REF DWG NO.	DWG NO.	
		BDV-2020_B	A3
SCALE	TOOL	PART	SHEET OF