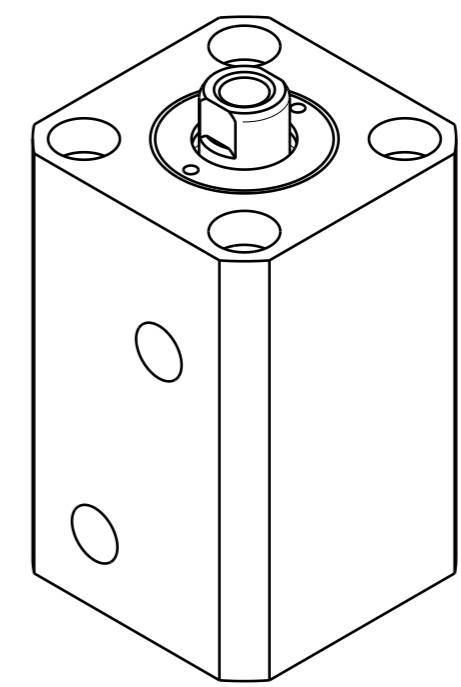
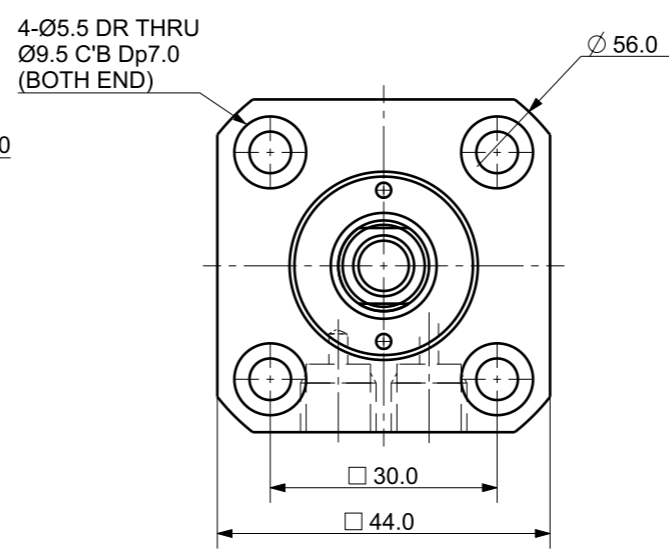
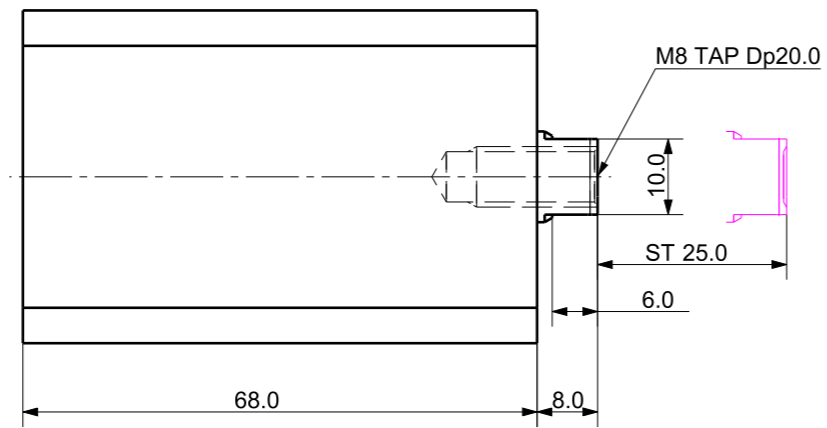


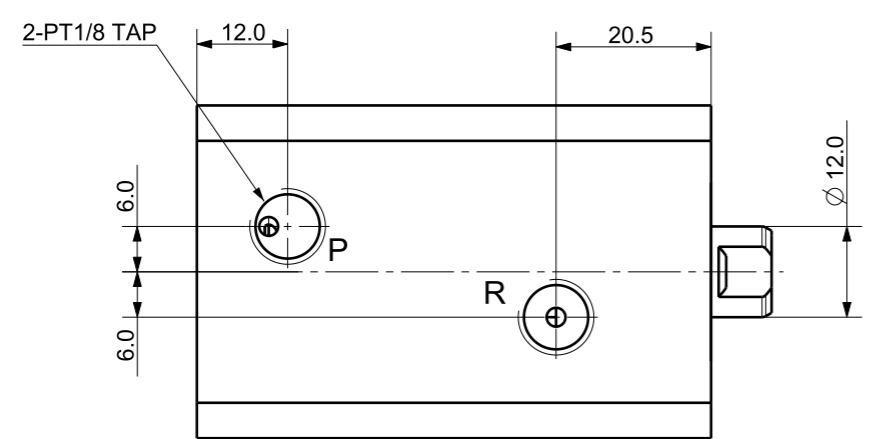
FILE NAME:

REVISIONS

ZONE	LTR	DESCRIPTION	DATE	APPROVED
------	-----	-------------	------	----------



Isometric view (1:1)



DET. NO	NAME	QTY	MAT'L	FINAL SIZES & PART No	REMARK
---------	------	-----	-------	-----------------------	--------

UNLESS OTHERWISE SPECIFIED	
DIMENSIONS ARE IN MM	
ALL SURFACES	6.3S
TOLERANCES	
ANGLE	±
.X	± 0.15
.XX	±
FINISH	----
HEAT TREAT	----

SIGNATURES	MO-DA-YR
DRAWN	
CHECKED	
APPROVED	

KJF 케이제이에프(주)
TOTAL CLAMPING SYSTEMS

TITLE
BLOCK CLAMP

WORK ORDER NO	REF DWG NO.	DWG NO.	
	---	BDV-2025_B	A3
SCALE	TOOL	PART	SHEET OF