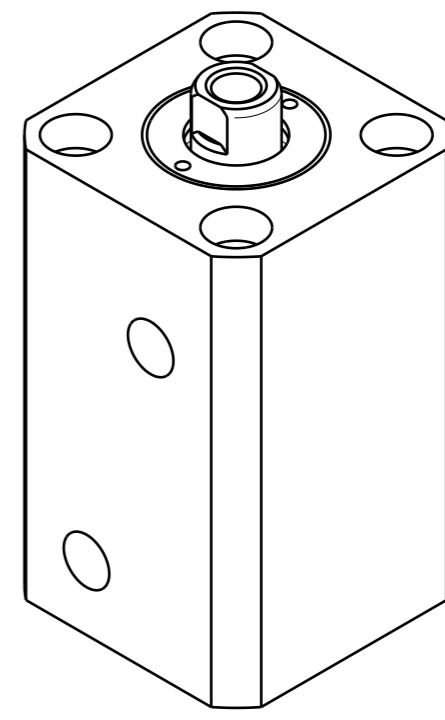
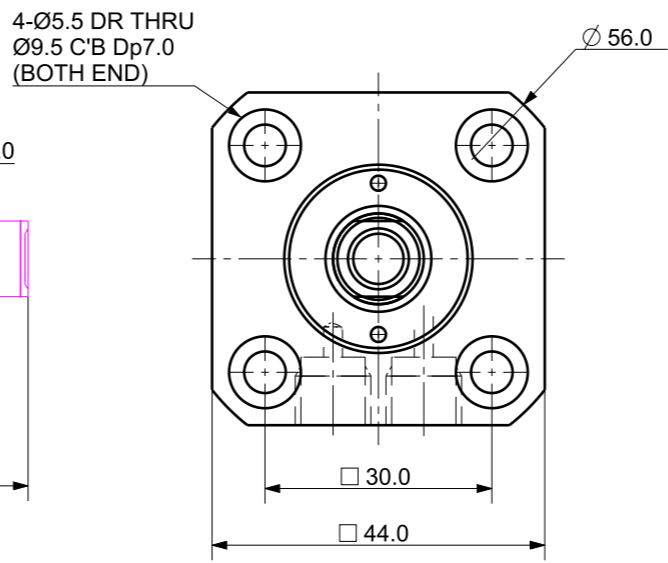
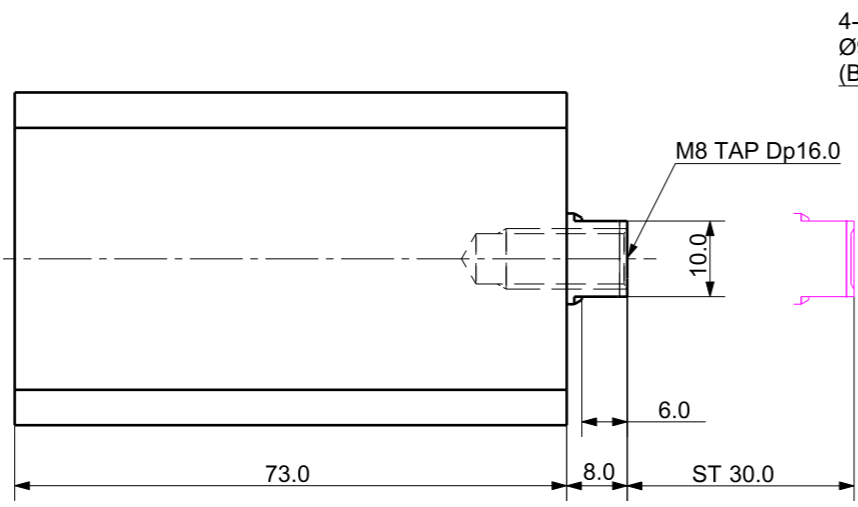
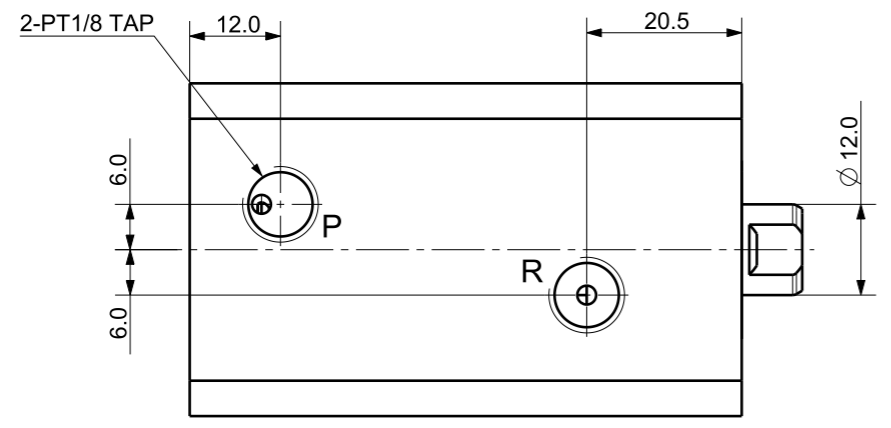


FILE NAME:

REVISIONS				
ZONE	LTR	DESCRIPTION	DATE	APPROVED

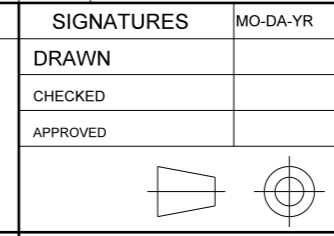



Isometric view (1:1)



DET. NO	NAME	QTY	MAT'L	FINAL SIZES & PART No	REMARK

UNLESS OTHERWISE SPECIFIED	SIGNATURES	MO-DA-YR
DIMENSIONS ARE IN MM	DRAWN	
ALL SURFACES 6.3S	CHECKED	
TOLERANCES	APPROVED	
ANGLE ±		
.X ±		
.XX ±		
FINISH ----	WORK ORDER NO	
HEAT TREAT ----		




케이제이에프(주)
 TOTAL CLAMPING SYSTEMS

TITLE

BLOCK CLAMP

REF DWG NO.	DWG NO	A3
---	BDV-2030_B	
SCALE /	TOOL <input type="checkbox"/> PART <input type="checkbox"/> SHEET	OF