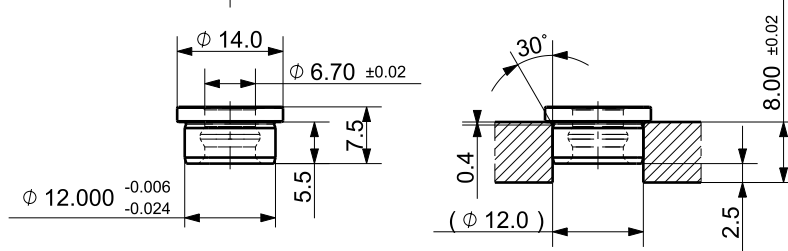
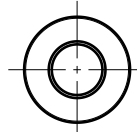
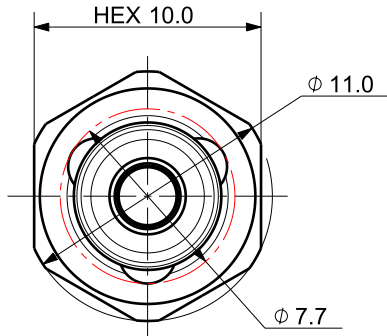


FILE NAME:

REVISIONS

ZONE	LTR	DESCRIPTION	DATE	APPROVED



<BLC-0605B>

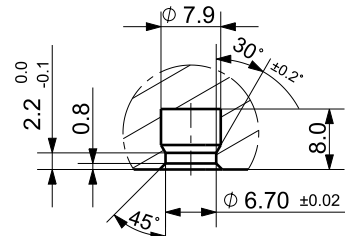
<MOUNTING>



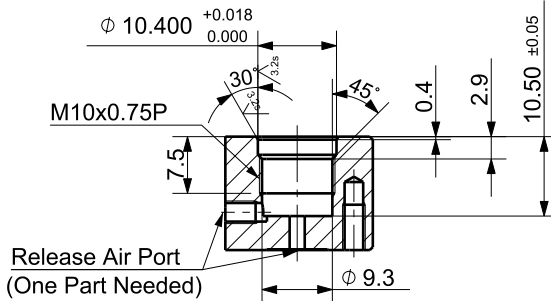
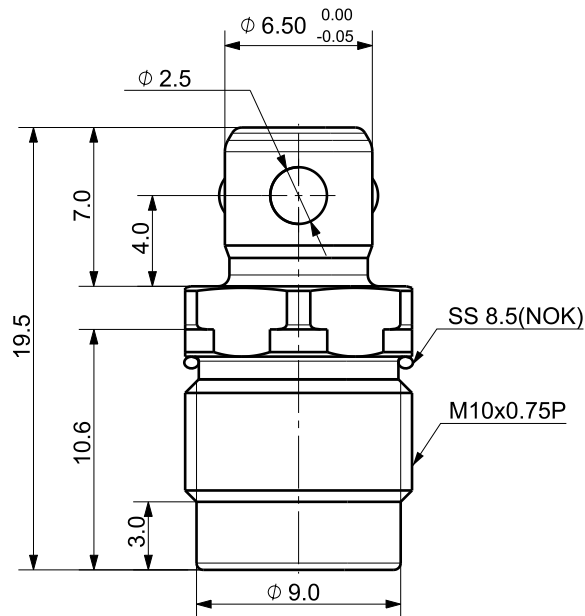
Isometric view (1:1)



Isometric view (1:1)
(installed with BUSH)




<Workpiece Hole Reference Dimensions>



<MOUNTING DIMENSION>

DET. NO	NAME	Q'TY	MAT'L	FINAL SIZES & PART No	REMARK

UNLESS OTHERWISE SPECIFIED	SIGNATURES	MO-DA-YR
DIMENSIONS ARE IN MM	DRAWN	
ALL SURFACES 6.3S	CHECKED	
TOLERANCES	APPROVED	
ANGLE ±		
X. ±		
.X ± 0.15		
.XX ± 0.05		
FINISH	WORK ORDER NO	
HEAT TREAT		


케이제이에프(주)
 TOTAL CLAMPING SYSTEMS

TITLE

BALL LOCK CYLINDER

REF DWG NO. **WKA0060** DWG NO. **BLC-0605** **A4**

SCALE **3/1** TOOL PART SHEET OF