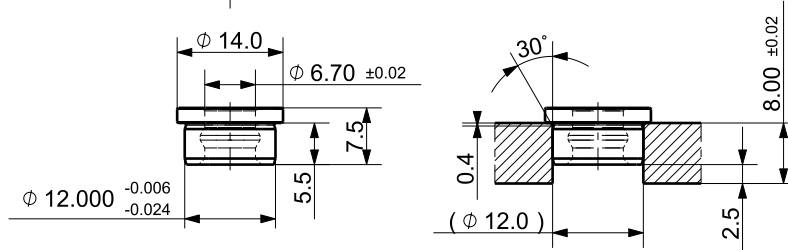
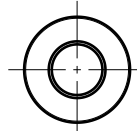
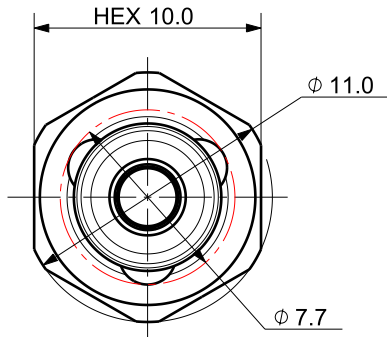


FILE NAME:

REVISIONS

ZONE	LTR	DESCRIPTION	DATE	APPROVED



<BLC-0605B>

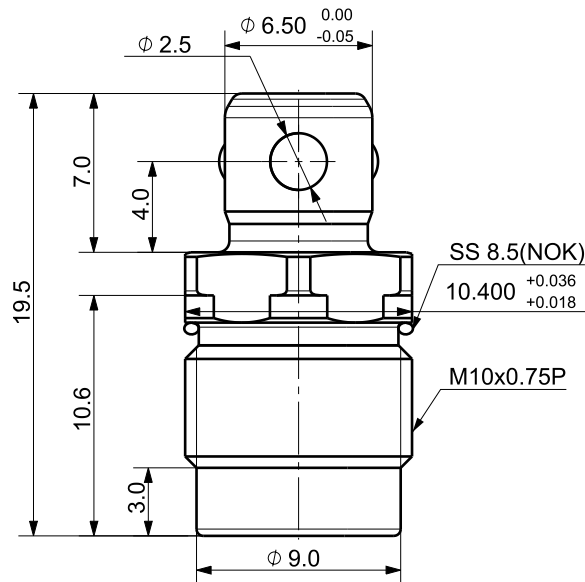
<MOUNTING>



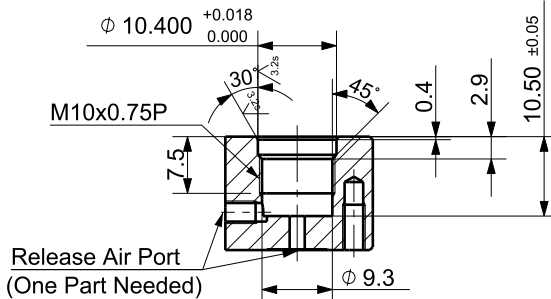
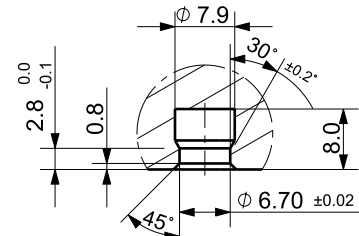
Isometric view (1:1)



Isometric view (1:1)
(installed with BUSH)



<Workpiece Hole Reference Dimensions>




<MOUNTING DIMENSION>

Release Air Port
(One Part Needed)

DET. NO	NAME	Q'TY	MAT'L	FINAL SIZES & PART No	REMARK

UNLESS OTHERWISE SPECIFIED	SIGNATURES	MO-DA-YR
DIMENSIONS ARE IN MM	DRAWN	
ALL SURFACES 6.3S	CHECKED	
TOLERANCES	APPROVED	
ANGLE ±		
X. ±		
.X ± 0.15		
.XX ± 0.05		
FINISH	WORK ORDER NO	
HEAT TREAT		

 케이제이에프(주) TOTAL CLAMPING SYSTEMS	
TITLE BALL LOCK CYLINDER	
REF DWG NO. WKA0060	DWG NO. BLC-0605
SCALE 3/1	TOOL <input type="checkbox"/> PART <input type="checkbox"/> SHEET <input type="checkbox"/> OF A4