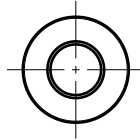
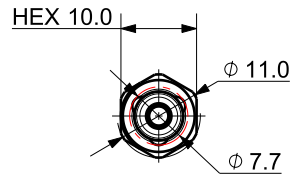


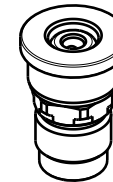
FILE NAME:

REVISIONS

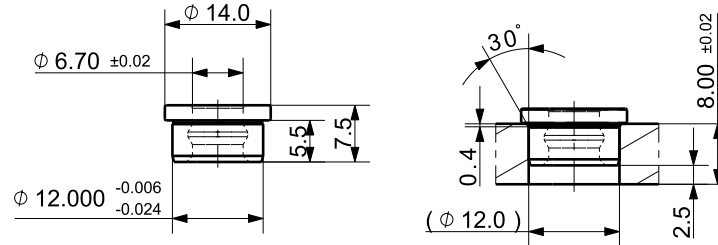
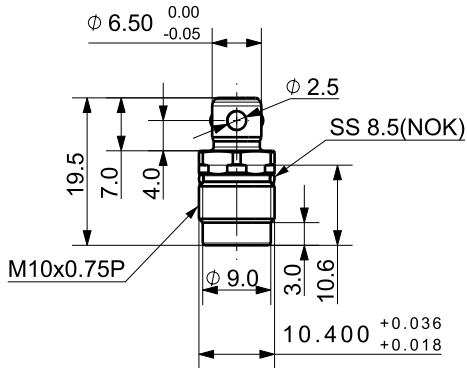
ZONE	LTR	DESCRIPTION	DATE	APPROVED



Isometric view 1:1

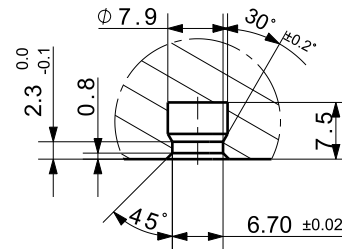


Isometric view (1:1)
(installed with BUSH)

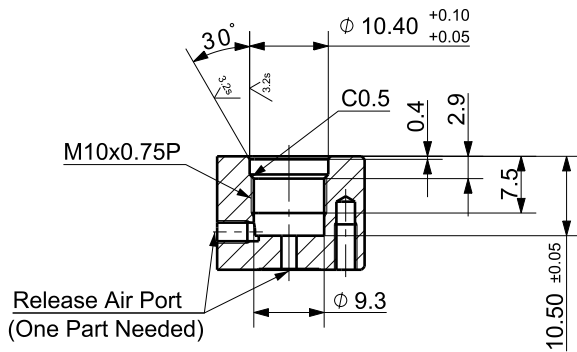


<BLC-0605B>

<MOUNTING>



<Workpiece Hole Reference Dimensions>



<MOUNTING DIMENSION>

DET.NO	NAME	Q'TY	MAT'L	FINAL SIZES & PART No	REMARK

UNLESS OTHERWISE SPECIFIED	SIGNATURES	MO-DA-YR
DIMENSIONS ARE IN MM	DRAWN	
ALL SURFACES 6.3S	CHECKED	
TOLERANCES	APPROVED	
ANGLE ±		
X. ±		
.X ± 0.15		
.XX ± 0.05		
FINISH ---	WORK ORDER NO	
HEAT TREAT ---		



케이제이에프(주)
TOTAL CLAMPING SYSTEMS

TITLE
BALL LOCK CYLINDER

REF DWG NO.	DWG NO	A4
	BLC-0605_ -	
SCALE /	TOOL <input type="checkbox"/> PART <input type="checkbox"/> SHEET	OF