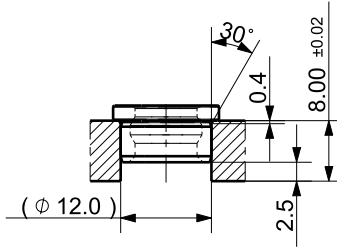
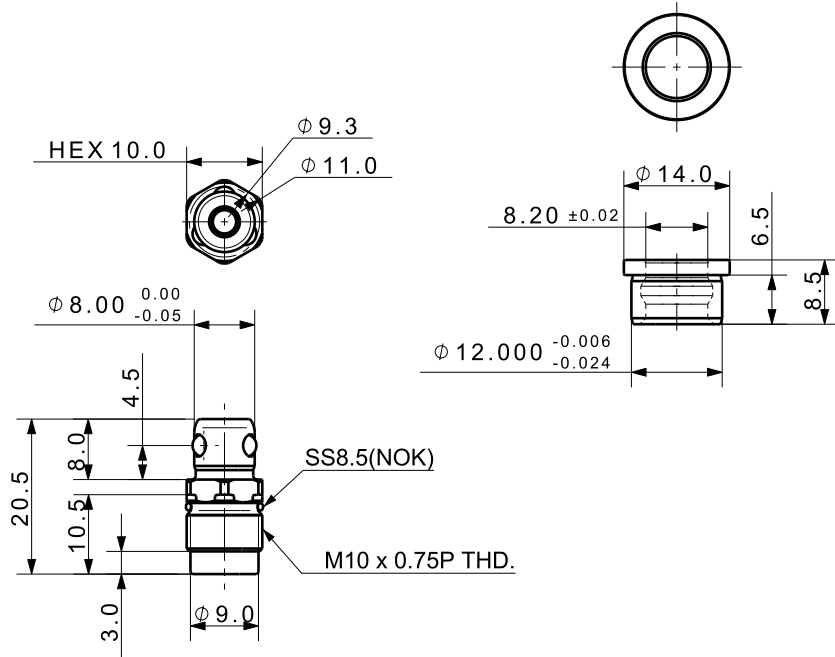


FILE NAME:

REVISIONS

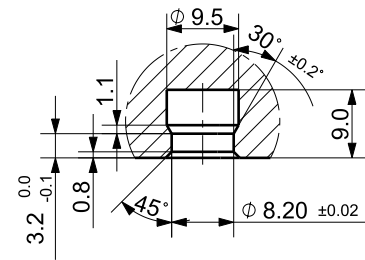
ZONE	LTR	DESCRIPTION	DATE	APPROVED
△				
△				



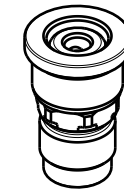
<MOUNTING>



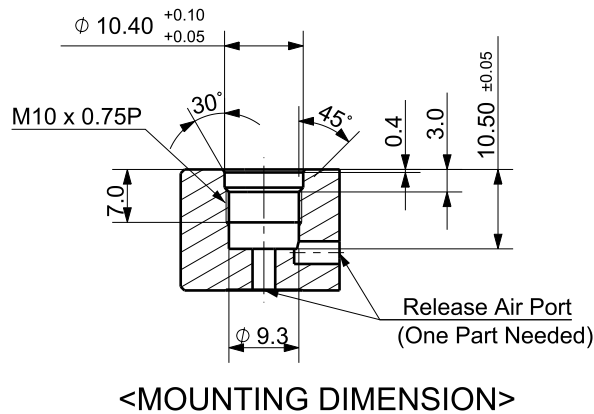
Isometric view (1:1)



<Workpiece Hole Reference Dimensions>



Isometric view (1:1)  
(installed with BUSH)



<MOUNTING DIMENSION>

DET.NO	NAME	Q'TY	MAT'L	FINAL SIZES & PART No	REMARK

UNLESS OTHERWISE SPECIFIED	SIGNATURES	MO-DA-YR
DIMENSIONS ARE IN MM	DRAWN	
ALL SURFACES 6.3S	CHECKED	
TOLERANCES	APPROVED	
ANGLE		
X. ±		
.X ± 0.15		
.XX ± 0.05		
FINISH	WORK ORDER NO	
---		
HEAT TREAT		
---		

KJF 케이제이에프(주) TOTAL CLAMPING SYSTEMS	
TITLE	
BALL LOCK CYLINDER	
REF DWG NO.	DWG NO
	BLC-0807_C_DWG
SCALE	A4
TOOL <input type="checkbox"/>	PART <input type="checkbox"/>
SHEET	OF