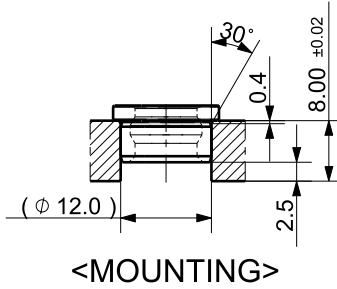
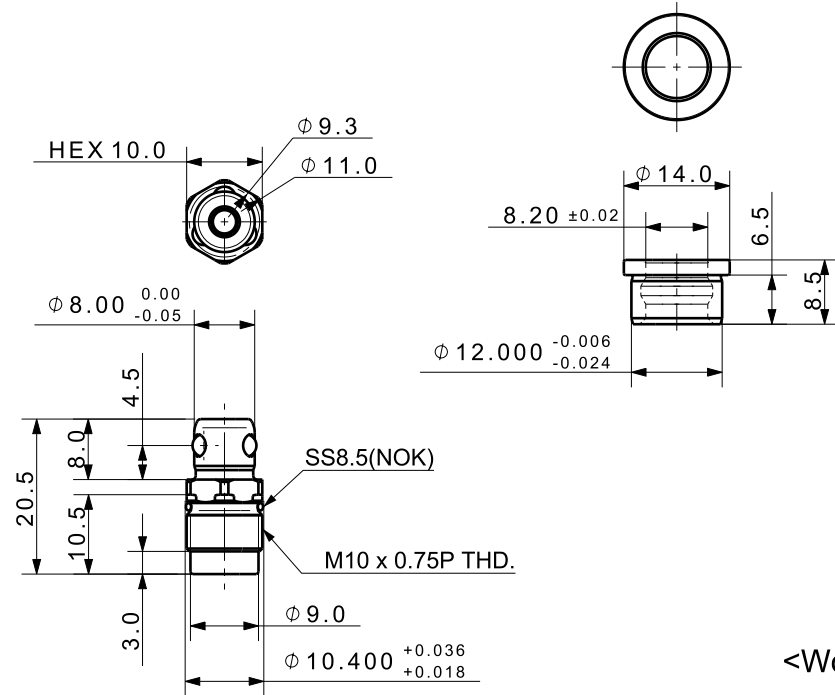


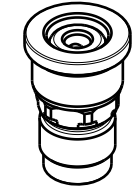
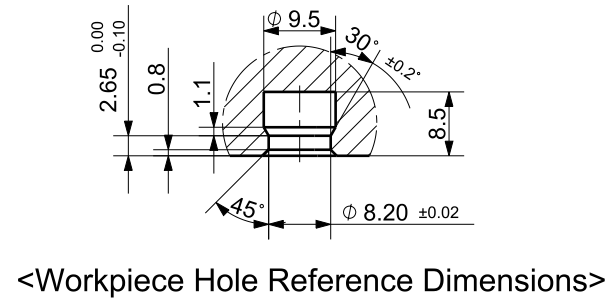
FILE NAME:

REVISIONS

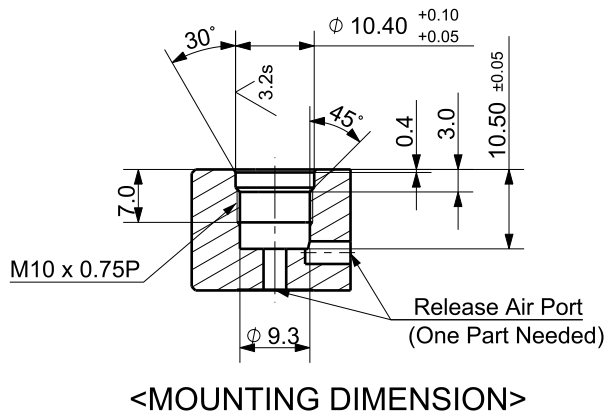
ZONE	LTR	DESCRIPTION	DATE	APPROVED
△				
△				



Isometric view (1:1)



Isometric view (1:1)
(installed with BUSH)



DET. NO	NAME	Q'TY	MAT'L	FINAL SIZES & PART No	REMARK
UNLESS OTHERWISE SPECIFIED		SIGNATURES		MO-DA-YR	
DIMENSIONS ARE IN MM		DRAWN			
ALL SURFACES 6.3S		CHECKED			
TOLERANCES		APPROVED			
ANGLE ±					
.X ± 0.15					
.XX ± 0.05					
FINISH ---		WORK ORDER NO		REF DWG NO.	
HEAT TREAT ---				DWG NO	
				BLC-0807_C_DWG	
				A4	
		SCALE /		TOOL <input type="checkbox"/> PART <input type="checkbox"/> SHEET <input type="checkbox"/> OF	

KJF 케이제이에프(주)
TOTAL CLAMPING SYSTEMS

TITLE
BALL LOCK CYLINDER