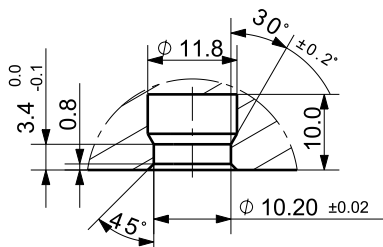
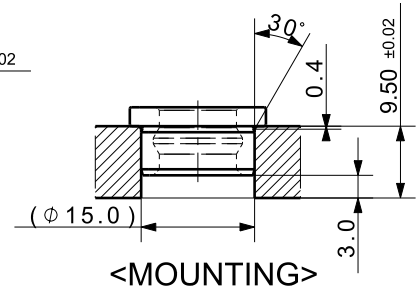
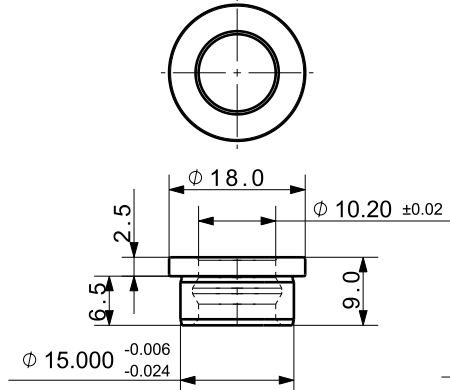
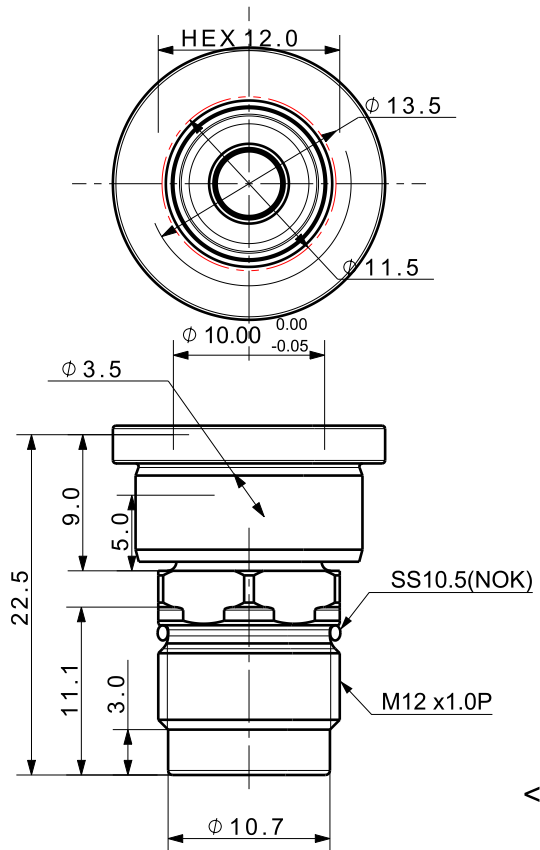


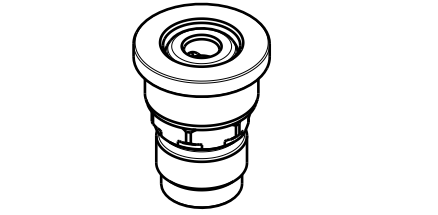
FILE NAME:

REVISIONS

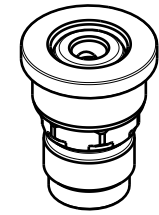
ZONE	LTR	DESCRIPTION	DATE	APPROVED



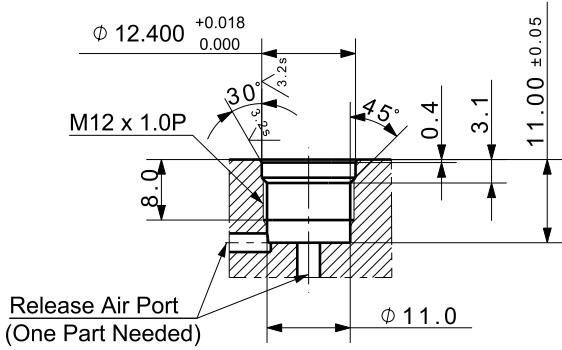
<Workpiece Hole Reference Dimensions>



Isometric view (1:1)


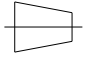



Isometric view (1:1)
(installed with BUSH)



<MOUNTING DIMENSION>

UNLESS OTHERWISE SPECIFIED
 DIMENSIONS ARE IN MM
 ALL SURFACES 6.3S
 TOLERANCES
 ANGLE ±
 .X ± 0.15
 .XX ± 0.05
 FINISH
 HEAT TREAT

DET.NO	NAME	Q'TY	MAT'L	FINAL SIZES & PART No	REMARK
SIGNATURES		MO-DA-YR		 케이제이에프(주) TOTAL CLAMPING SYSTEMS	
DRAWN				TITLE	
CHECKED				<h1>BALL LOCK CYLINDER</h1>	
APPROVED					
 		WORK ORDER NO		REF DWG NO.	DWG NO.
				WKA0100	BLC-1010
				A4	
		SCALE	TOOL	PART	SHEET
			<input type="checkbox"/>	<input type="checkbox"/>	OF