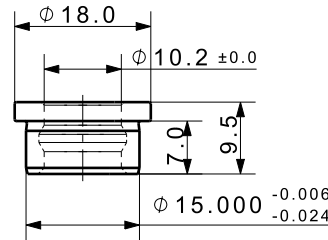
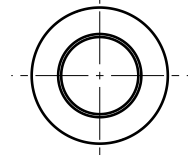
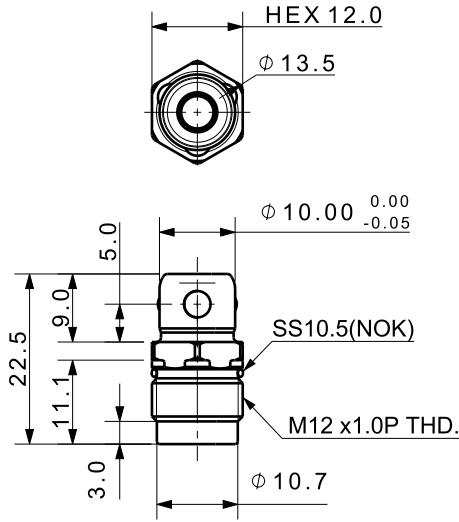


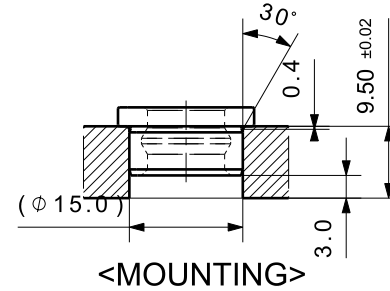
FILE NAME:

REVISIONS

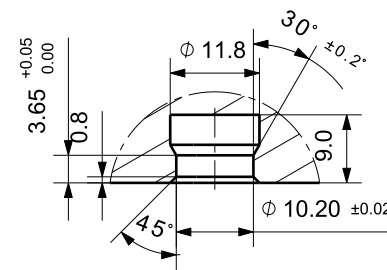
ZONE	LTR	DESCRIPTION	DATE	APPROVED
------	-----	-------------	------	----------



<BLC-1010B>



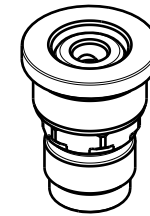
<MOUNTING>



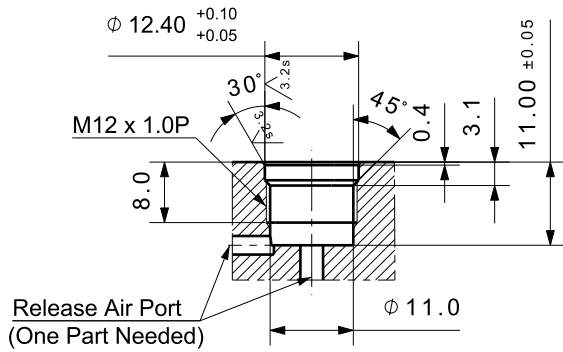
<Workpiece Hole Reference Dimensions>



Isometric view (1:1)



Isometric view (1:1)
(installed with BUSH)



<MOUNTING DIMENSION>

UNLESS OTHERWISE SPECIFIED

DIMENSIONS ARE IN MM

ALL SURFACES 6.3S

TOLERANCES

ANGLE	±
.X	± 0.15
.XX	± 0.05

FINISH	---
HEAT TREAT	---

DET.NO	NAME	Q'TY	MAT'L	FINAL SIZES & PART No	REMARK
--------	------	------	-------	-----------------------	--------

SIGNATURES	MO-DA-YR
DRAWN	
CHECKED	
APPROVED	

KJF 케이제이에프(주)
TOTAL CLAMPING SYSTEMS

TITLE

BALL LOCK CYLINDER

WORK ORDER NO	REF DWG NO.	DWG NO	A4
		BLC-1010_C_DWG	
SCALE	TOOL	PART	SHEET
			OF