

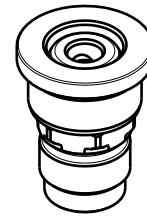
FILE NAME:

REVISIONS

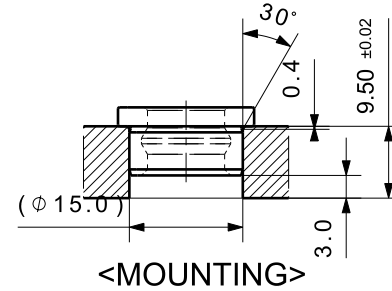
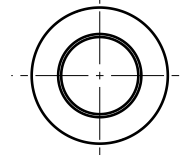
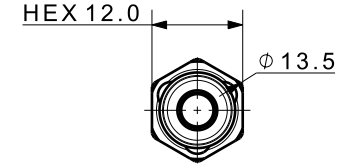
ZONE	LTR	DESCRIPTION	DATE	APPROVED
------	-----	-------------	------	----------



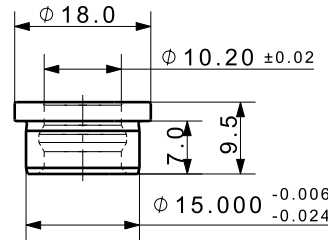
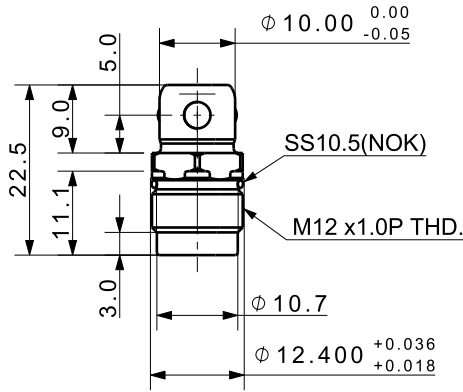
Isometric view (1:1)



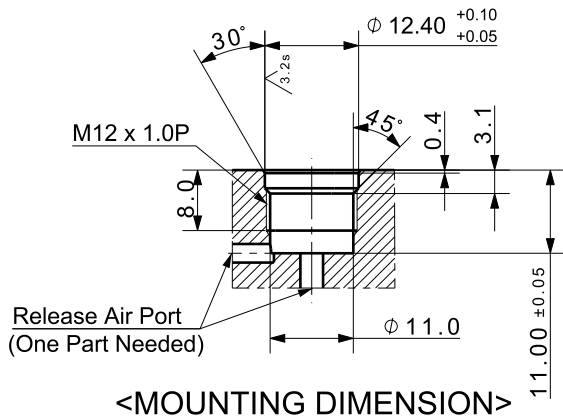
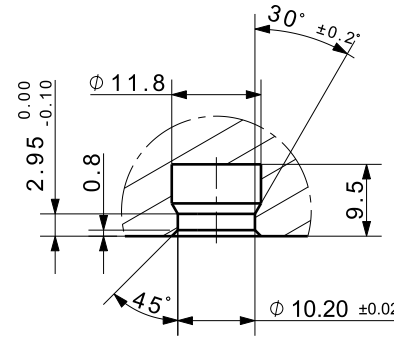
Isometric view (1:1)
(installed with BUSH)



<MOUNTING>



<BLC-1010B>



<MOUNTING DIMENSION>

<Workpiece Hole Reference Dimensions>

DET.NO	NAME	Q'TY	MAT'L	FINAL SIZES & PART No	REMARK
--------	------	------	-------	-----------------------	--------

UNLESS OTHERWISE SPECIFIED	SIGNATURES	MO-DA-YR
DIMENSIONS ARE IN MM	DRAWN	
ALL SURFACES 6.3S	CHECKED	
TOLERANCES	APPROVED	
ANGLE		
X. ±		
.X ± 0.15		
.XX ± 0.05		
FINISH	WORK ORDER NO	
HEAT TREAT		



케이제이에프(주)
TOTAL CLAMPING SYSTEMS

TITLE
BALL LOCK CYLINDER

REF DWG NO.	DWG NO	
	BLC-1010_C_DWG	A4
SCALE	TOOL	PART
	<input type="checkbox"/>	<input type="checkbox"/>
	SHEET	OF