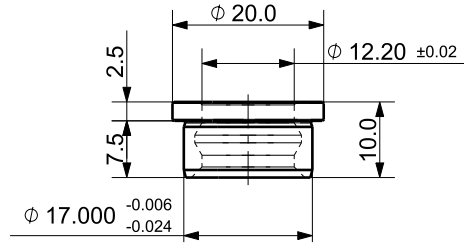
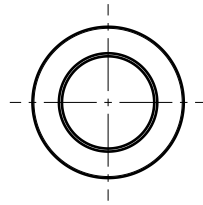
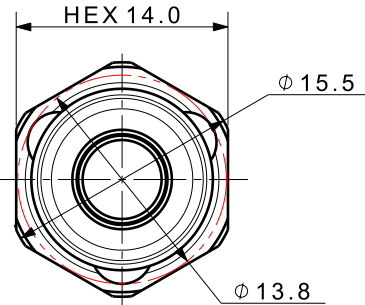


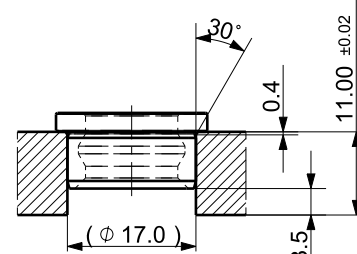
FILE NAME:

REVISIONS

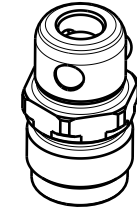
ZONE	LTR	DESCRIPTION	DATE	APPROVED



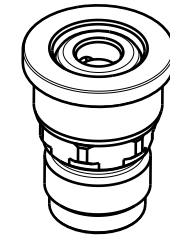
<BLC-1215B>



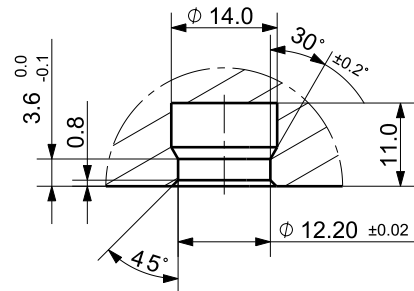
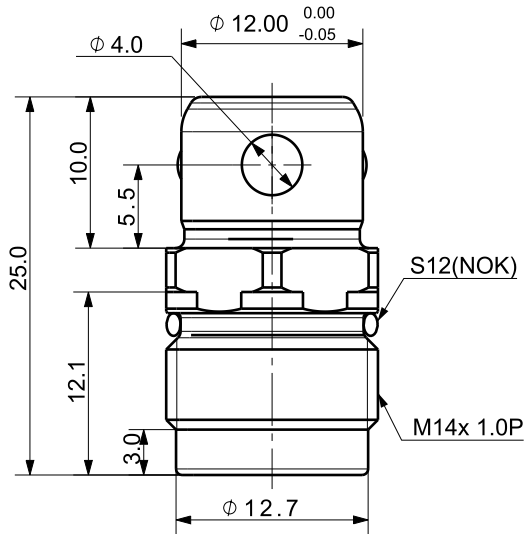
<MOUNTING>



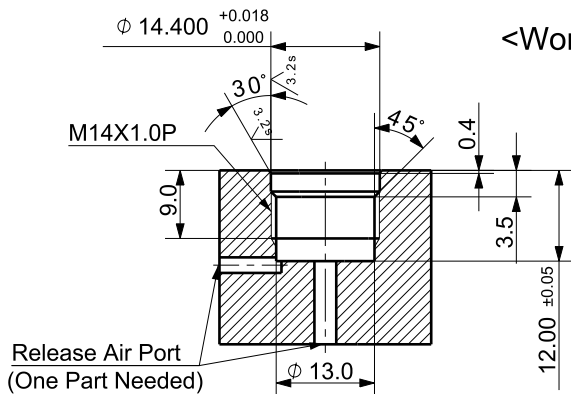
Isometric view (1:1)



Isometric view (1:1)  
(installed with BUSH)




<Workpiece Hole Reference Dimensions>



<MOUNTING DIMENSION>

DET.NO	NAME	Q'TY	MAT'L	FINAL SIZES & PART No	REMARK

UNLESS OTHERWISE SPECIFIED	SIGNATURES	MO-DA-YR
DIMENSIONS ARE IN MM	DRAWN	
ALL SURFACES 6.3S	CHECKED	
TOLERANCES	APPROVED	
ANGLE		
X. ±		
.X ± 0.15		
.XX ± 0.05		
FINISH	WORK ORDER NO	
HEAT TREAT		

 <b>케이제이에프(주)</b> TOTAL CLAMPING SYSTEMS	
TITLE	
<b>BALL LOCK CYLINDER</b>	
REF DWG NO.	DWG NO.
WKA0120	BLC-1215
SCALE	TOOL <input type="checkbox"/> PART <input type="checkbox"/> SHEET <input type="checkbox"/> OF
	A4