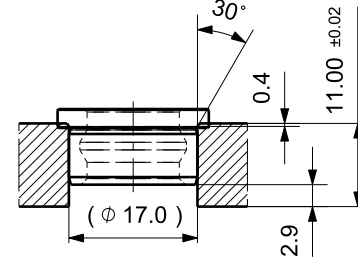
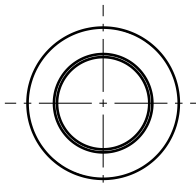
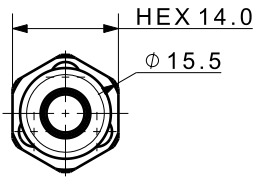


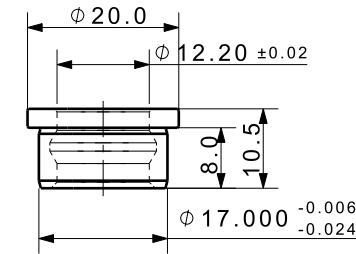
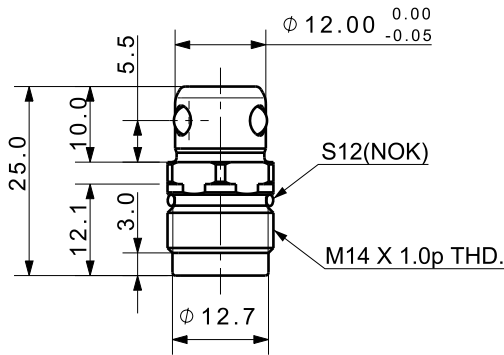
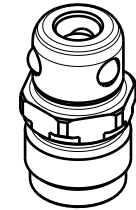
FILE NAME:

REVISIONS

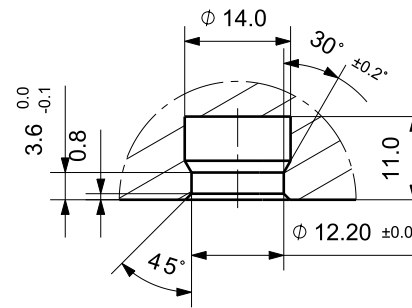
ZONE	LTR	DESCRIPTION	DATE	APPROVED
------	-----	-------------	------	----------



Isometric view (1:1)

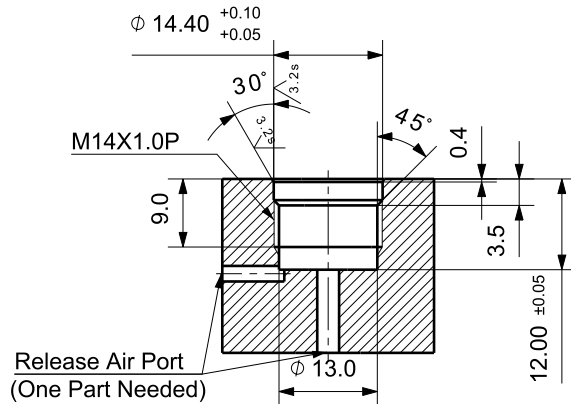
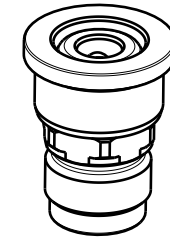


<BLC-1215B>



<Workpiece Hole Reference Dimensions>


Isometric view (1:1)  
(installed with BUSH)



<MOUNTING DIMENSION>

UNLESS OTHERWISE SPECIFIED	
DIMENSIONS ARE IN MM	
ALL SURFACES	6.3S
TOLERANCES	
ANGLE	±
.X	± 0.15
.XX	± 0.05

FINISH	---
HEAT TREAT	---

DET.NO	NAME	Q'TY	MAT'L	FINAL SIZES & PART No	REMARK	
SIGNATURES		MO-DA-YR		 <b>케이제이에프(주)</b> TOTAL CLAMPING SYSTEMS		
DRAWN						
CHECKED						
APPROVED				TITLE		
				<b>BALL LOCK CYLINDER</b>		
WORK ORDER NO		REF DWG NO.	DWG NO		A4	
			<b>BLC-1215_C_DWG</b>			
		SCALE	TOOL	PART	SHEET	OF