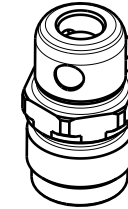
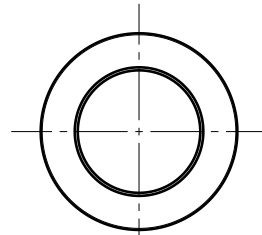
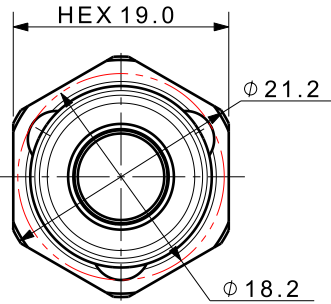


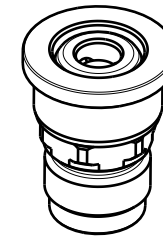
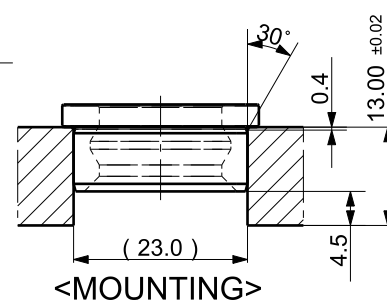
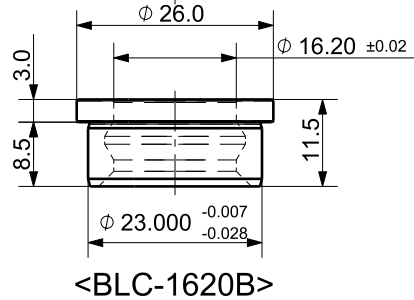
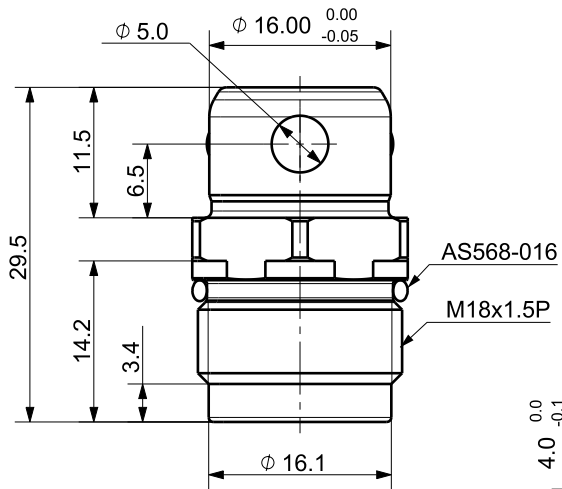
FILE NAME:

REVISIONS

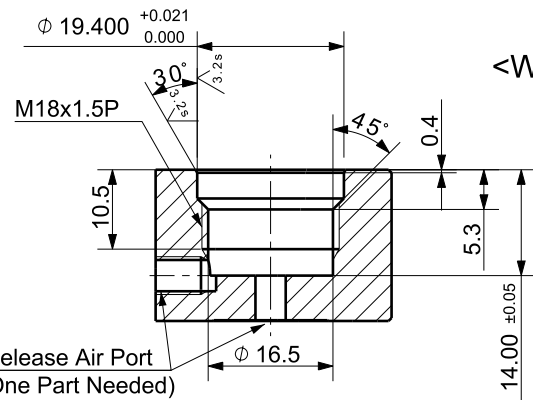
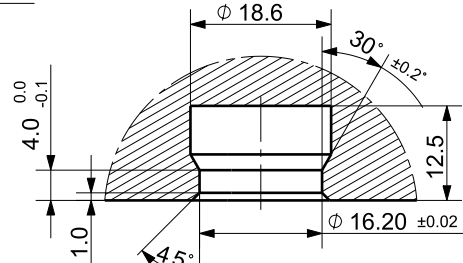
ZONE	LTR	DESCRIPTION	DATE	APPROVED



Isometric view (1:1)




Isometric view (1:1)  
(installed with BUSH)



Release Air Port  
(One Part Needed)

<Workpiece Hole Reference Dimensions>

UNLESS OTHERWISE SPECIFIED	
DIMENSIONS ARE IN MM	
ALL SURFACES	6.3S
TOLERANCES	
ANGLE	±
X.	± 0.15
.X	± 0.15
.XX	± 0.05
FINISH	
HEAT TREAT	

DET.NO	NAME	Q'TY	MAT'L	FINAL SIZES & PART No	REMARK
SIGNATURES		MO-DA-YR		 <b>케이제이에프(주)</b> TOTAL CLAMPING SYSTEMS	
DRAWN					
CHECKED					
APPROVED				TITLE	
				<b>BALL LOCK CYLINDER</b>	
WORK ORDER NO		REF DWG NO.	DWG NO.	A4	
		WKA0160	BLC-1620		
		SCALE	TOOL	PART	SHEET
					OF