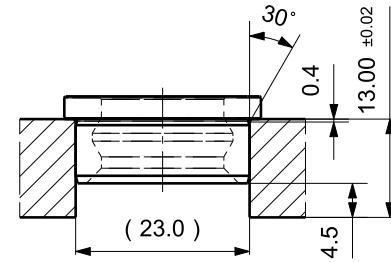
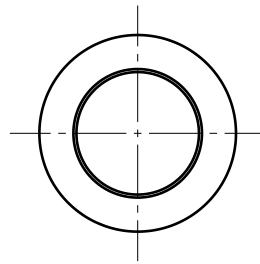
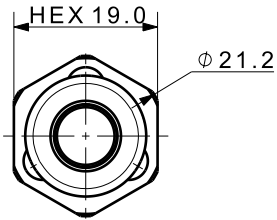


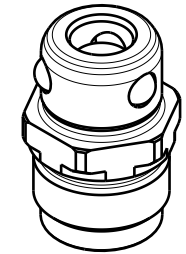
FILE NAME:

REVISIONS

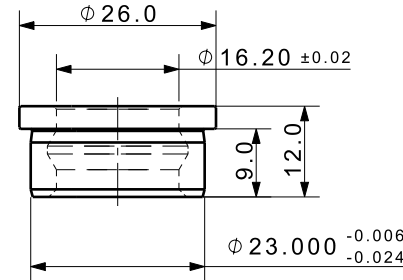
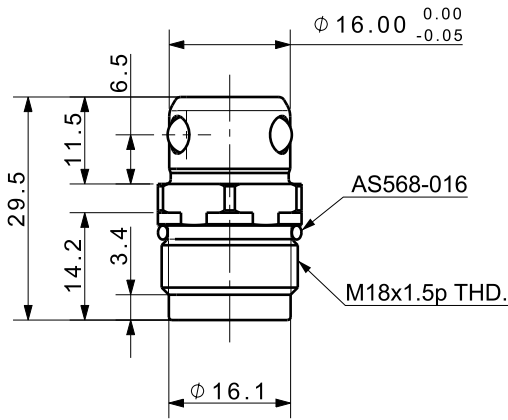
ZONE	LTR	DESCRIPTION	DATE	APPROVED
------	-----	-------------	------	----------



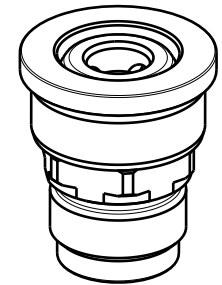
<MOUNTING>



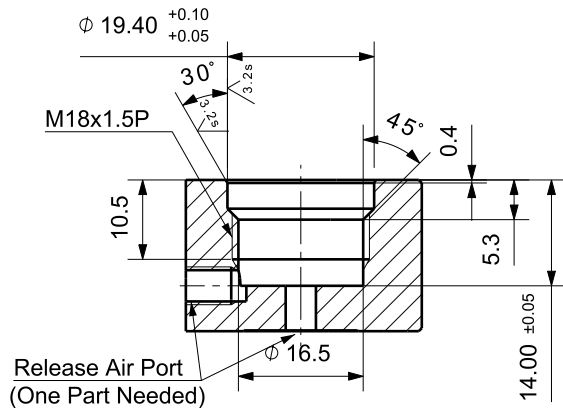
Isometric view (1:1)



<Workpiece Hole Reference Dimensions>



Isometric view (1:1)
(installed with BUSH)



<MOUNTING DIMENSION>

UNLESS OTHERWISE SPECIFIED	SIGNATURES	MO-DA-YR
DIMENSIONS ARE IN MM	DRAWN	
ALL SURFACES 6.3S	CHECKED	
TOLERANCES	APPROVED	
ANGLE ±		
.X ± 0.15		
.XX ± 0.05		
FINISH	WORK ORDER NO	
HEAT TREAT		

DET.NO	NAME	Q'TY	MAT'L	FINAL SIZES & PART No	REMARK
--------	------	------	-------	-----------------------	--------



케이제이에프(주)
TOTAL CLAMPING SYSTEMS

BALL LOCK CYLINDER

TITLE	REF DWG NO.	DWG NO	
		BLC-1620_C_DWG	A4
SCALE	TOOL	PART	SHEET OF