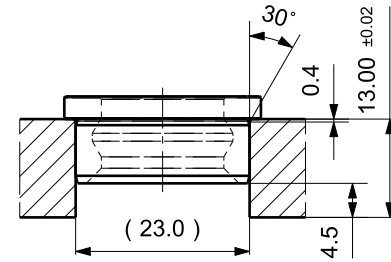
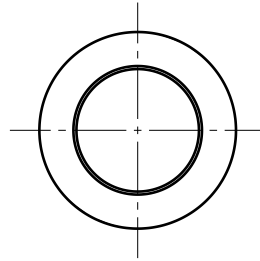
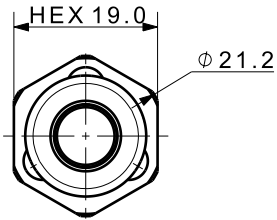


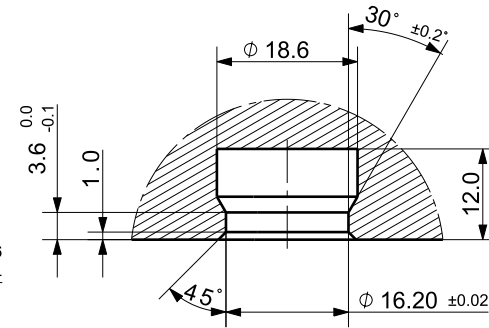
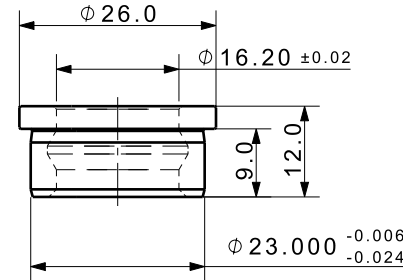
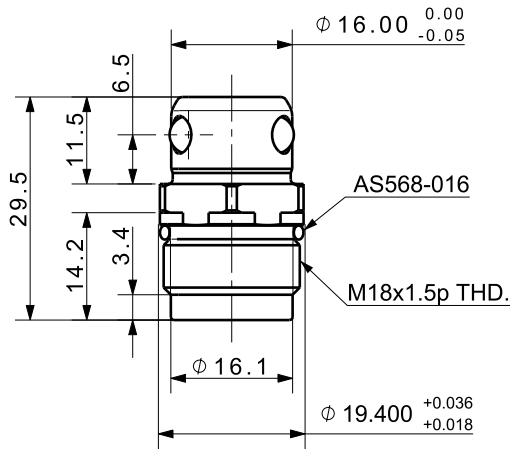
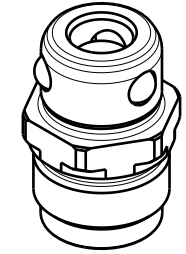
FILE NAME:

REVISIONS

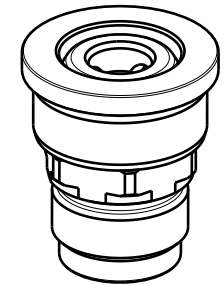
ZONE	LTR	DESCRIPTION	DATE	APPROVED
------	-----	-------------	------	----------



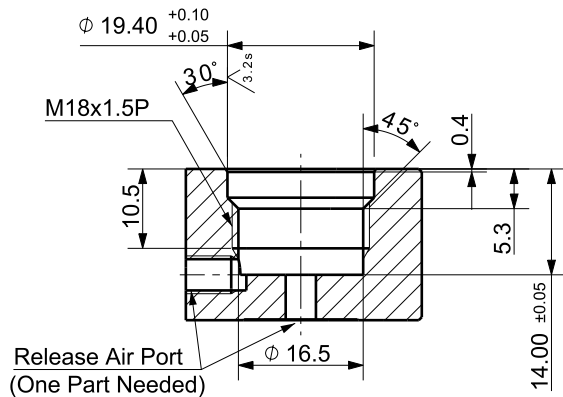
Isometric view (1:1)



Isometric view (1:1)
(installed with BUSH)



<Workpiece Hole Reference Dimensions>



<MOUNTING DIMENSION>

UNLESS OTHERWISE SPECIFIED

DIMENSIONS ARE IN MM


ALL SURFACES 6.3S

TOLERANCES

ANGLE	±
X.	± 0.15
.XX	± 0.05

FINISH ---

HEAT TREAT ---

DET. NO	NAME	Q'TY	MAT'L	FINAL SIZES & PART No	REMARK	
SIGNATURES		MO-DA-YR		 케이제이에프(주) TOTAL CLAMPING SYSTEMS		
DRAWN						
CHECKED						
APPROVED				TITLE		
				BALL LOCK CYLINDER		
WORK ORDER NO		REF DWG NO.	DWG NO		A4	
			BLC-1620_C_DWG			
		SCALE	TOOL	PART	SHEET	OF