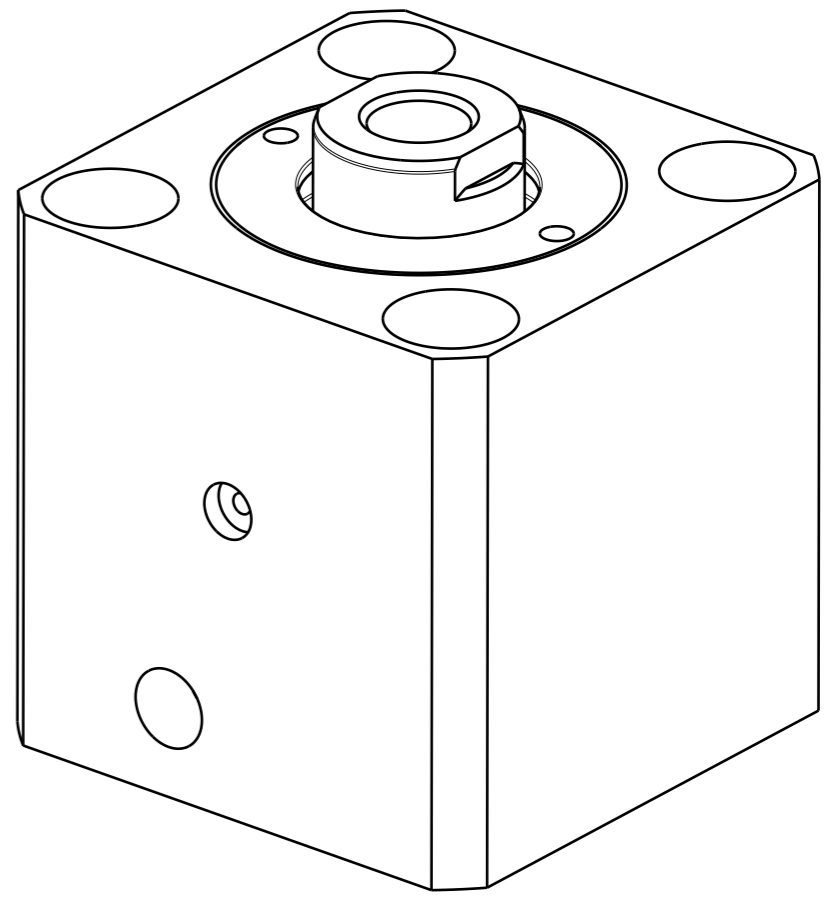
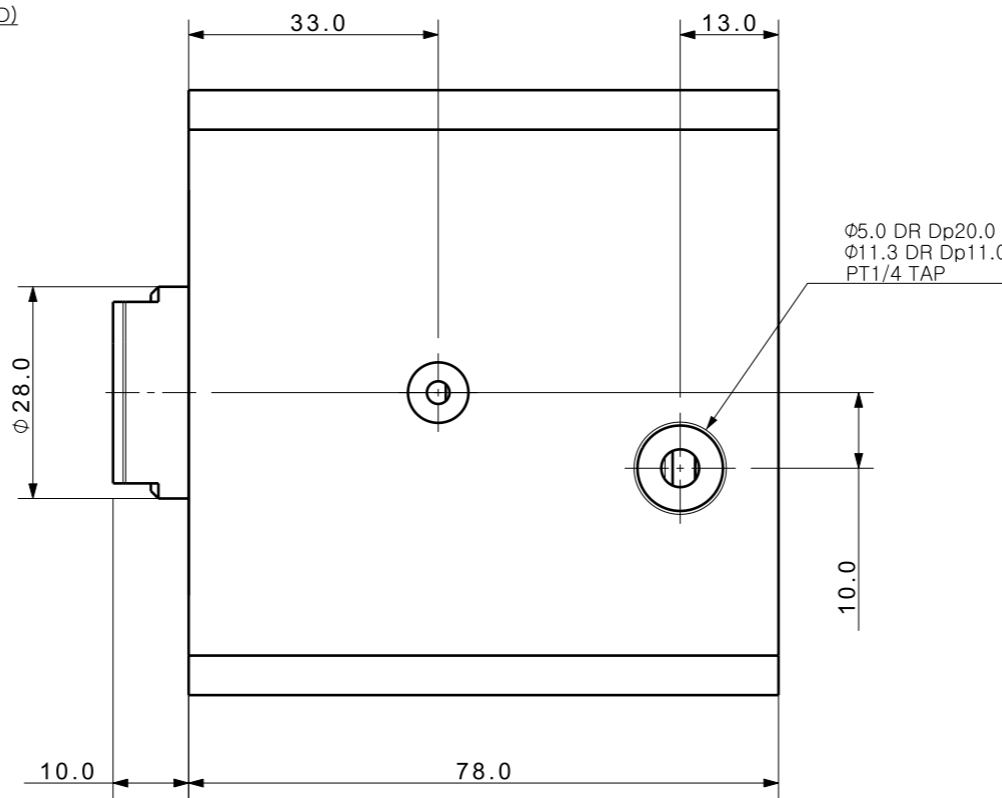
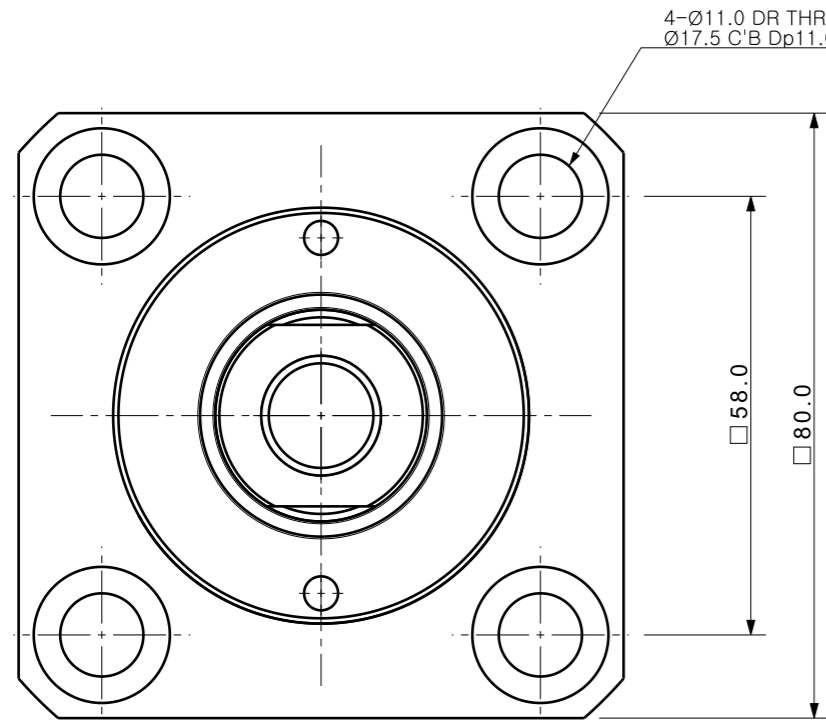
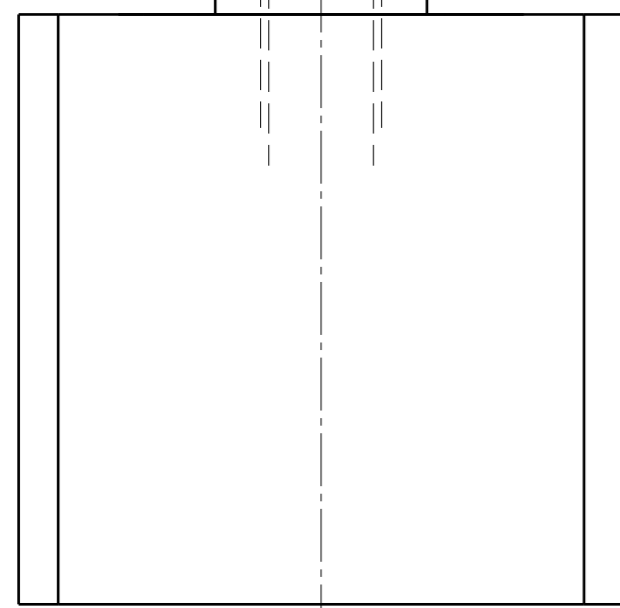
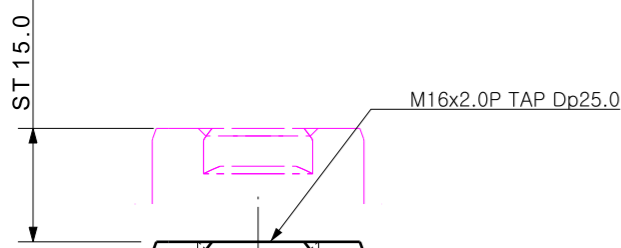


FILE NAME:

REVISIONS				
ZONE	LTR	DESCRIPTION	DATE	APPROVED



Isometric view (1:1)



DET.NO	NAME	QTY	MAT'L	FINAL SIZES & PART No	REMARK

UNLESS OTHERWISE SPECIFIED  
 DIMENSIONS ARE IN MM  
 ALL SURFACES 6.3S  
 TOLERANCES  
 ANGLE ±  
 .X ±  
 .XX ± 0.15  
 FINISH  
 HEAT TREAT

SIGNATURES  
 DRAWN  
 CHECKED  
 APPROVED

MO-DA-YR  
 TITLE  
**BLOCK CLAMP**



WORK ORDER NO  
 REF DWG NO. ---  
 DWG NO. BPV-5015\_-  
 SCALE / TOOL  PART  SHEET OF

A3