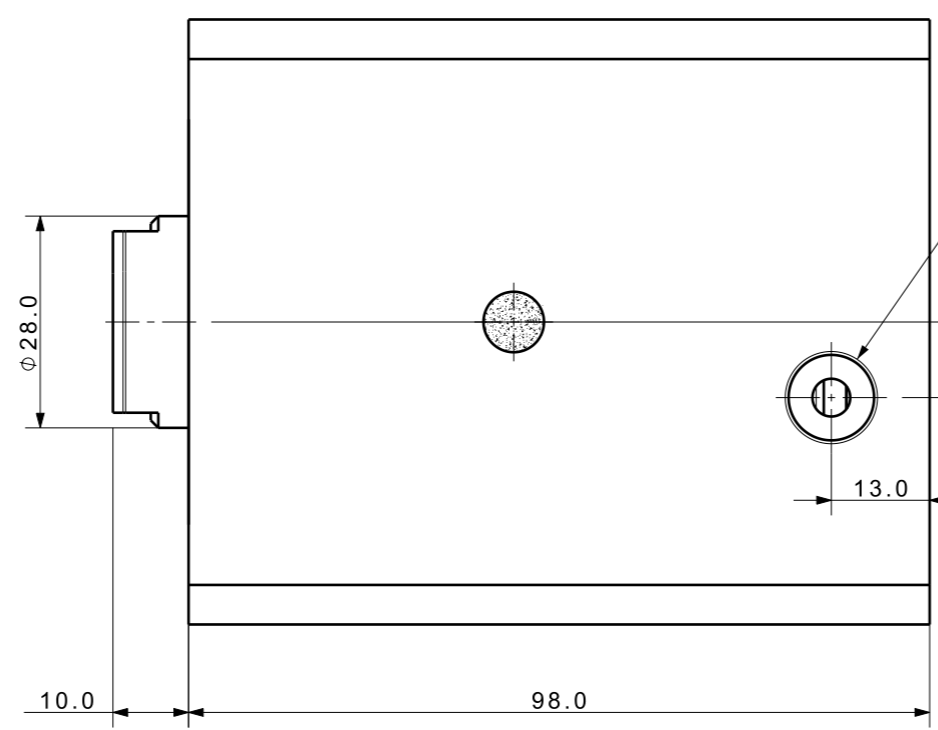
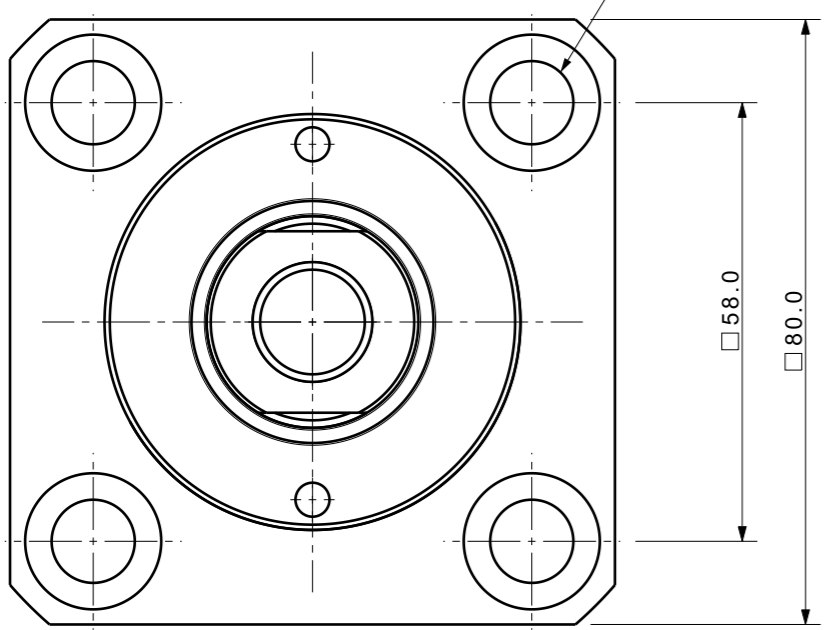


FILE NAME:

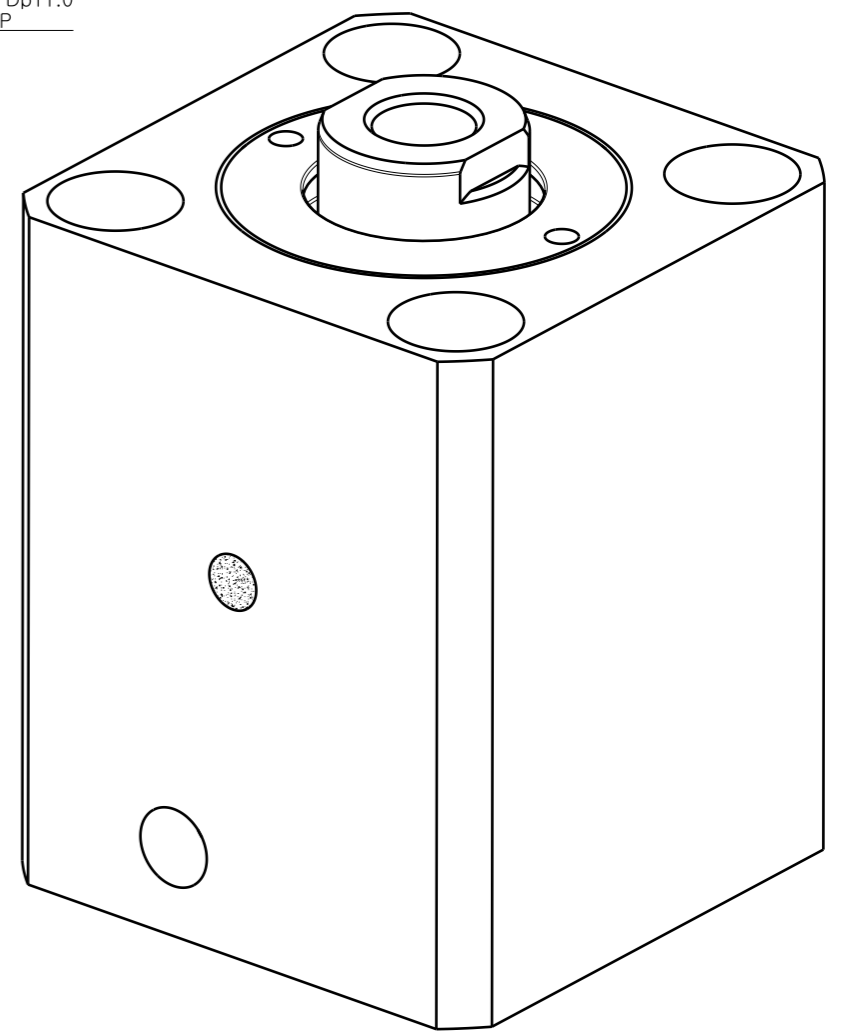
REVISIONS

ZONE	LTR	DESCRIPTION	DATE	APPROVED
------	-----	-------------	------	----------

4-Ø11.0 DR THRU
Ø17.5 C'B Dp11.0(BOTH END)

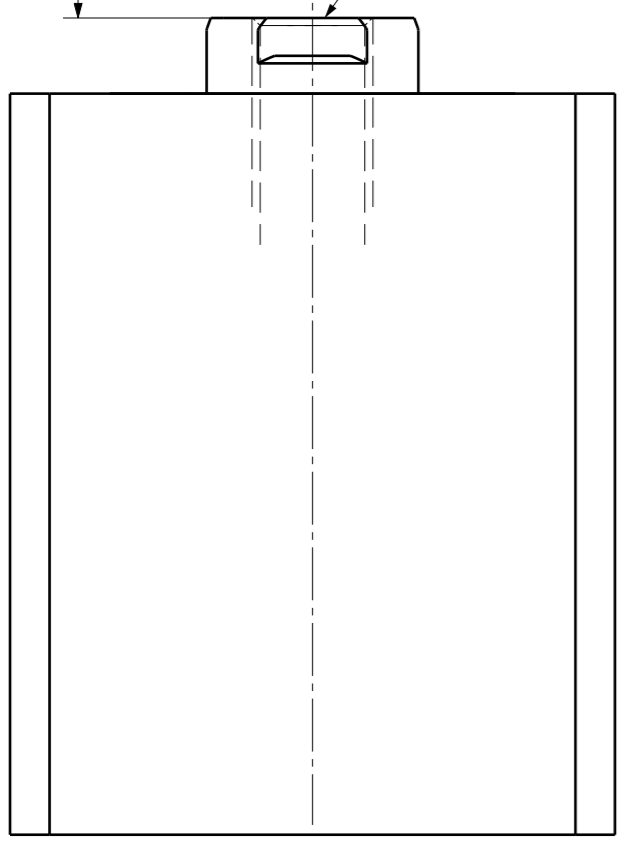


Ø5.0 DR Dp20.0
Ø11.3 DR Dp11.0
PT1/4 TAP



Isometric view (1:1)

ST 25.0
M16x2.0P TAP Dp25.0



DET.NO	NAME	QTY	MAT'L	FINAL SIZES & PART No	REMARK
UNLESS OTHERWISE SPECIFIED		SIGNATURES		MO-DA-YR	
DIMENSIONS ARE IN MM		DRAWN		TITLE	
ALL SURFACES 6.3S		CHECKED		APPROVED	
TOLERANCES		WORK ORDER NO		REF DWG NO.	
ANGLE ±				DWG NO	
X ±				BPV-5025	
.X ± 0.15				A3	
.XX ±				SCALE	
FINISH				TOOL <input type="checkbox"/> PART <input type="checkbox"/> SHEET <input type="checkbox"/> OF	
HEAT TREAT					

KJF 케이제이에프(주)
TOTAL CLAMPING SYSTEMS

BLOCK CLAMP

BPV-5025

A3