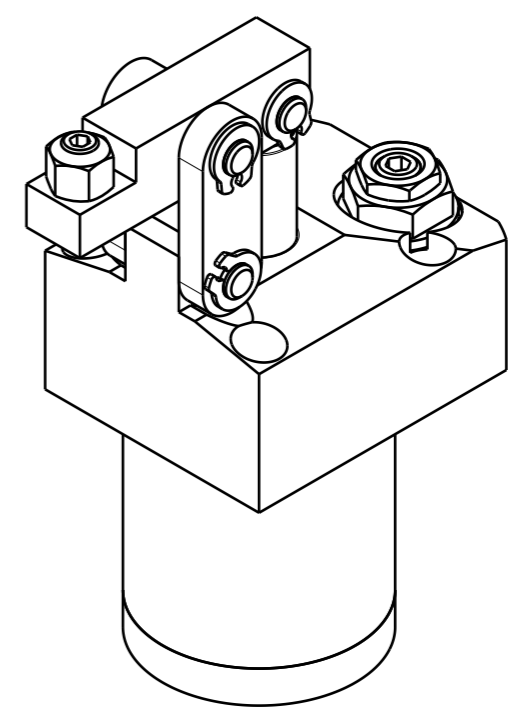
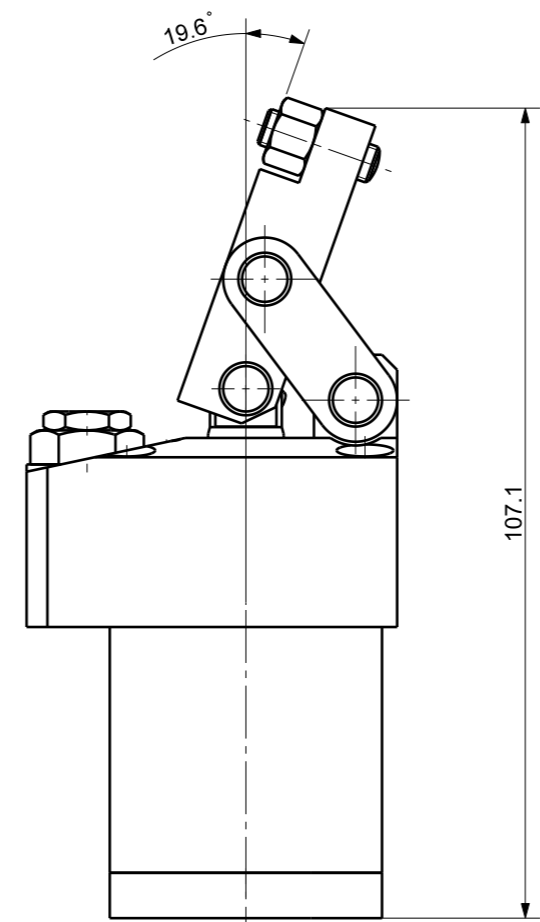
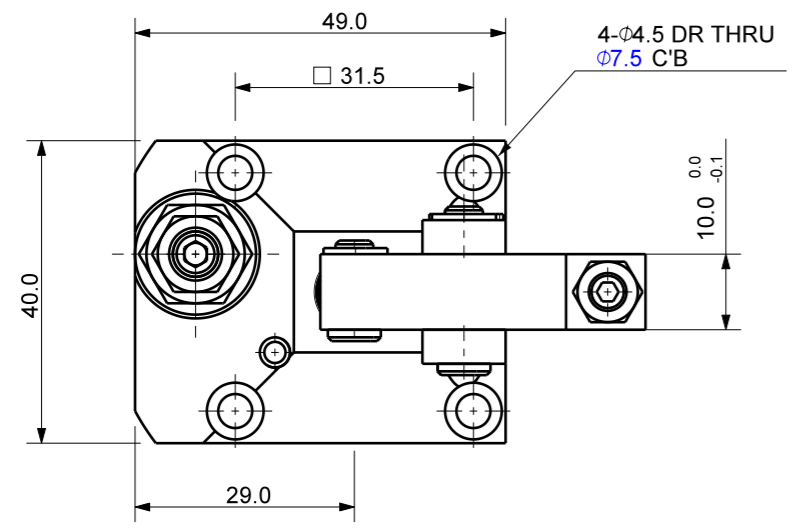


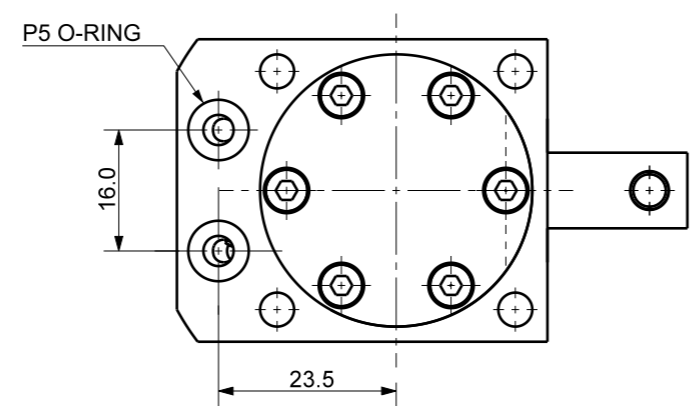
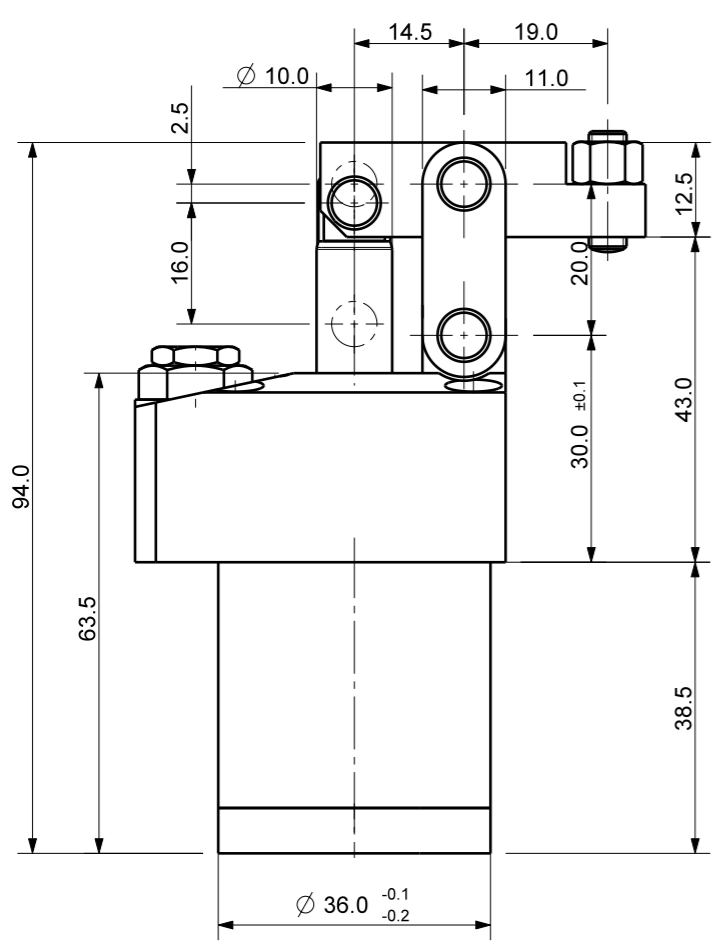
FILE NAME:

REVISIONS

ZONE	LTR	DESCRIPTION	DATE	APPROVED



Isometric view (1:1)



Rear view (1:1)

UNLESS OTHERWISE SPECIFIED	SIGNATURES	MO-DA-YR
DIMENSIONS ARE IN MM	DRAWN ---	00-00-00
ALL SURFACES 6.3S	CHECKED	
TOLERANCES	APPROVED	
ANGLE ±		
.X ±		
.X ± 0.15		
.XX ±		
FINISH	WORK ORDER NO	REF DWG NO.
BLOCK OXIDE		---
HEAT TREAT		DWG NO
HRC18~22		CHGC-2036GVT_-

DET.NO	NAME	QTY	MAT'L	FINAL SIZES & PART No	REMARK

(주)케이제이에프
 TOTAL CLAMPING SYSTEMS
HYD HINGE CLAMP
 REF DWG NO. --- DWG NO CHGC-2036GVT_-
 SCALE / TOOL PART SHEET OF **A3**