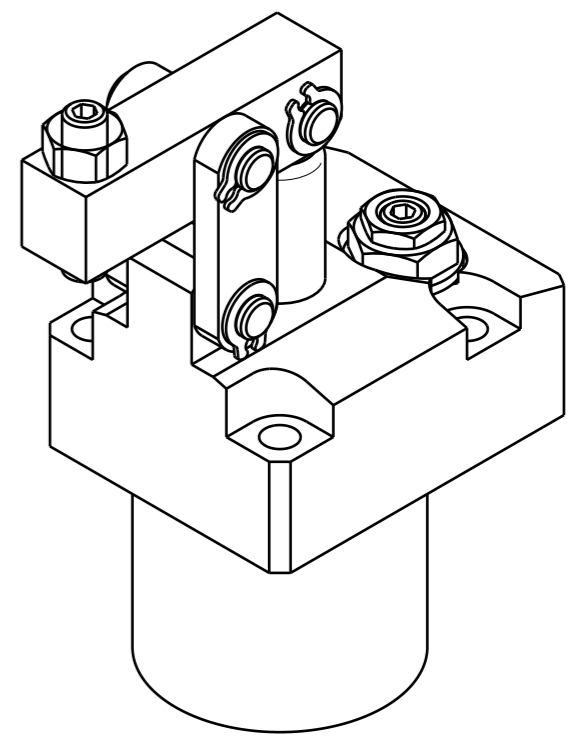
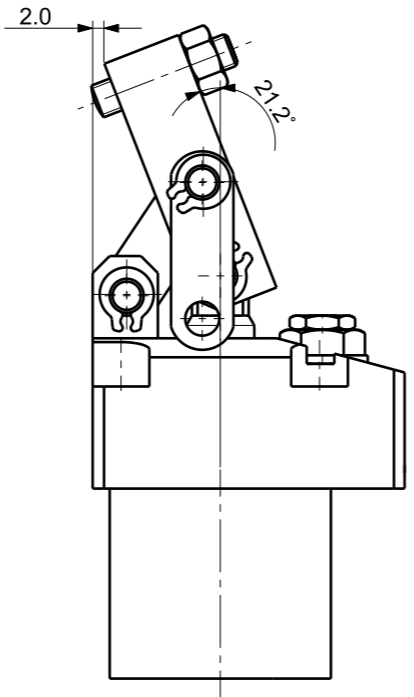
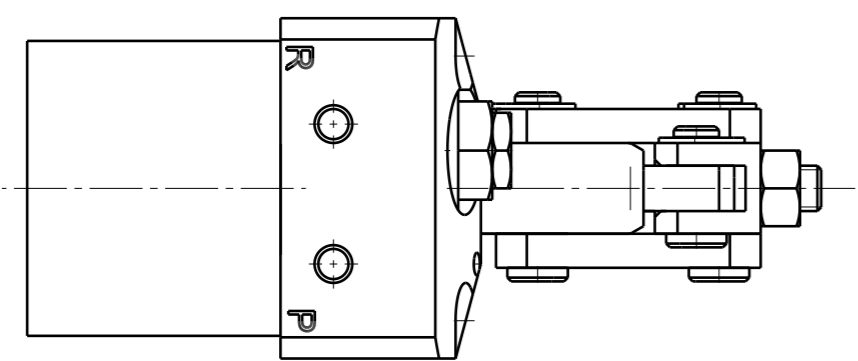


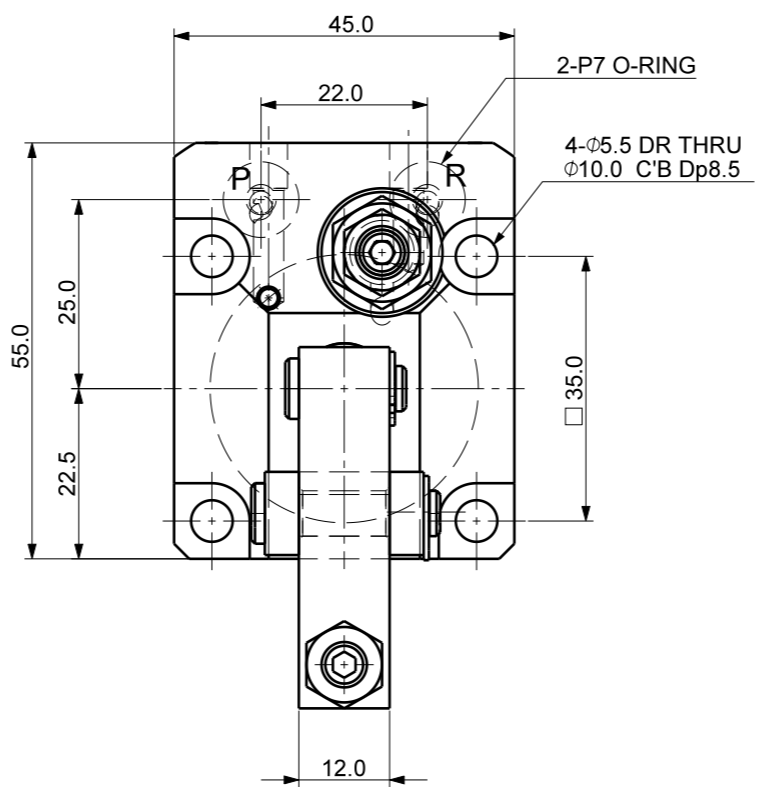
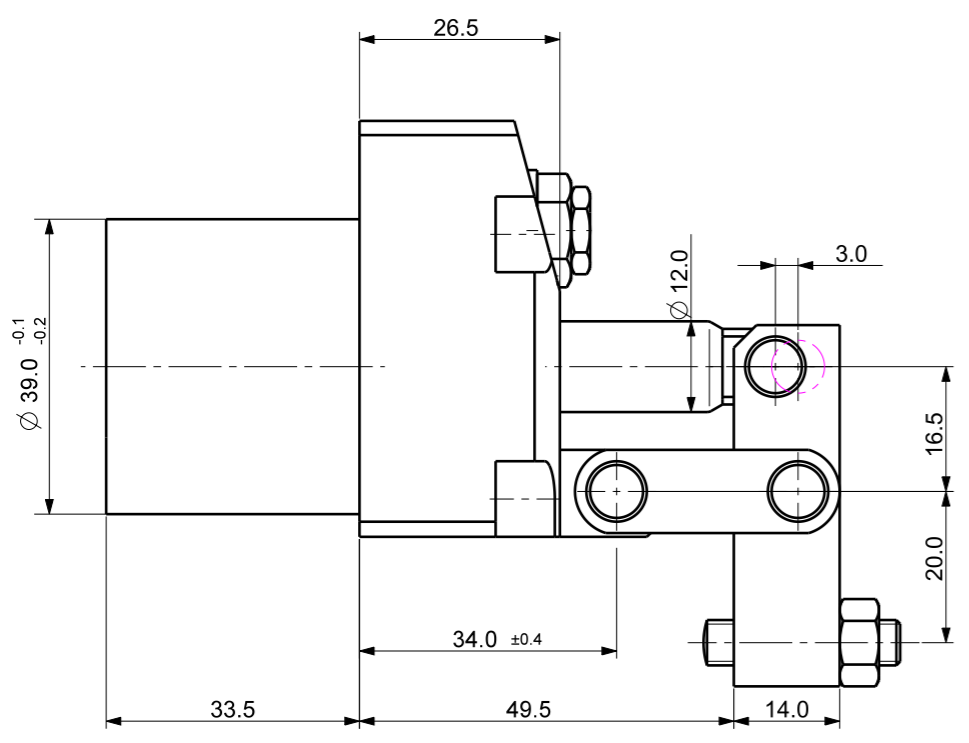
FILE NAME:

REVISIONS

ZONE	LTR	DESCRIPTION	DATE	APPROVED




Isometric view (1:1)



DET. NO	NAME	QTY	MATL	FINAL SIZES & PART No	REMARK

UNLESS OTHERWISE SPECIFIED	SIGNATURES	MO-DA-YR
DIMENSIONS ARE IN MM	DRAWN	
ALL SURFACES 6.3S	CHECKED	
TOLERANCES	APPROVED	
ANGLE ±		
X ±		
.X ± 0.15		
.XX ±		
FINISH	WORK ORDER NO	
HEAT TREAT		


(주)케이제이에프
 TOTAL CLAMPING SYSTEMS

HINGE CLAMP

REF DWG NO. ---
 DWG NO. **CHGC-2539GVT_-**
 SCALE / TOOL PART SHEET OF **A3**