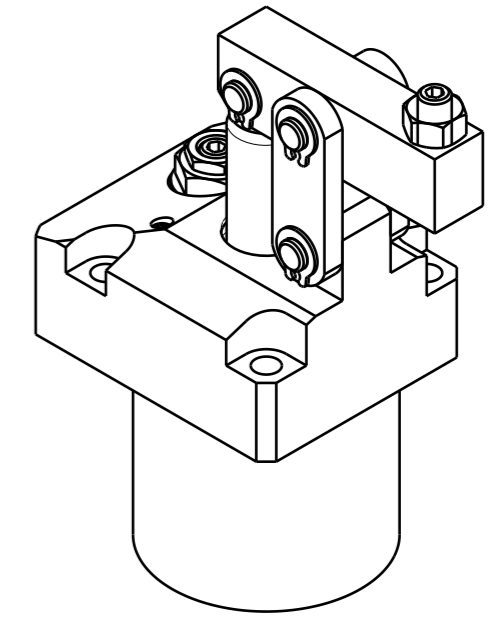
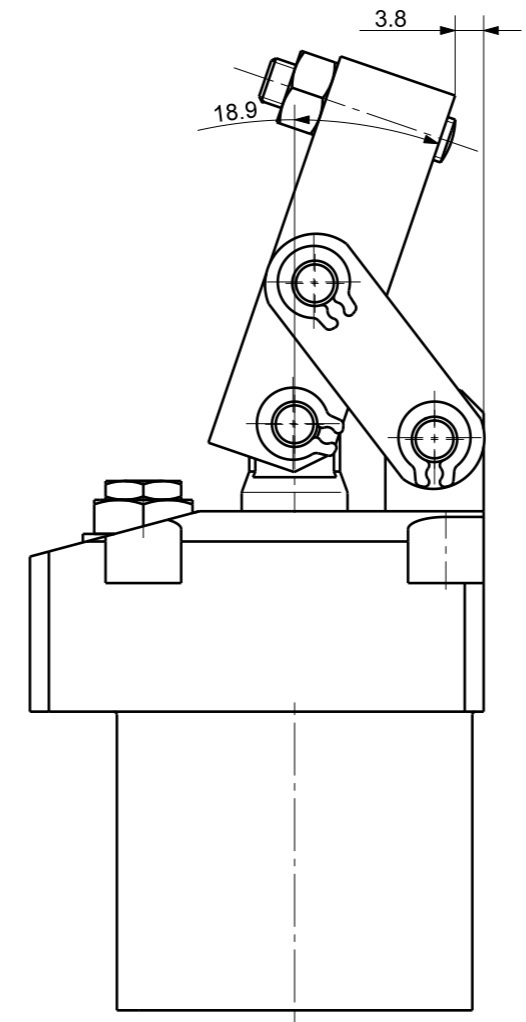
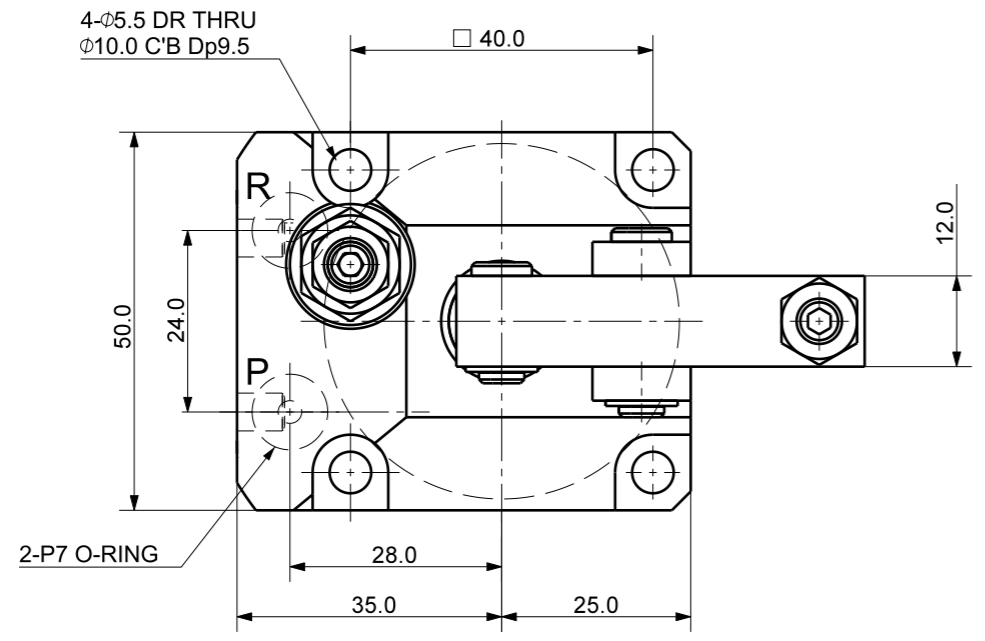
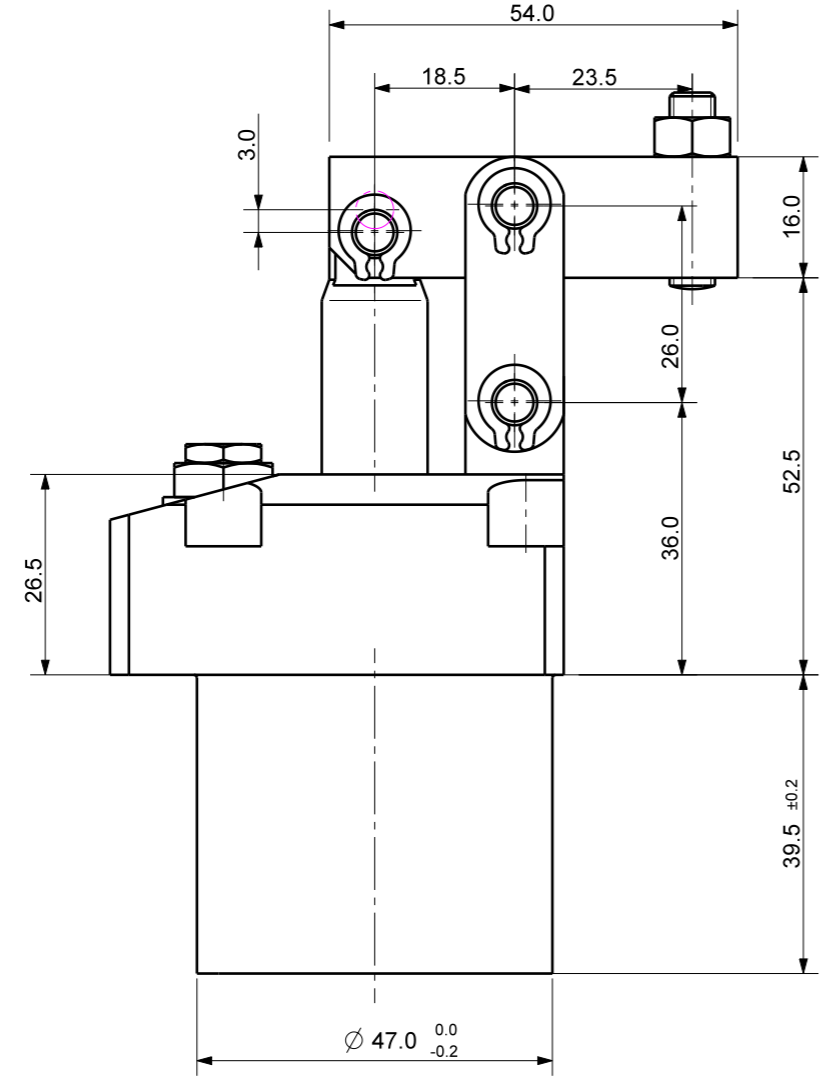
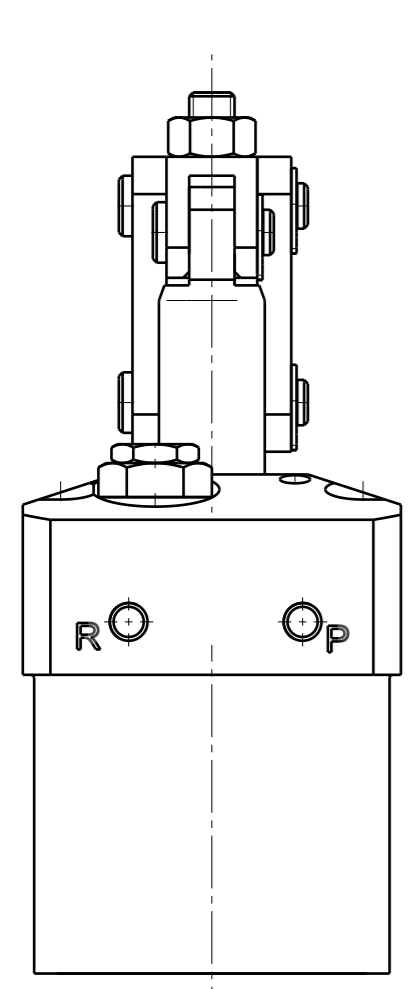


FILE NAME:

REVISIONS				
ZONE	LTR	DESCRIPTION	DATE	APPROVED



Isometric view (3:4)



DET.NO	NAME	QTY	MAT'L	FINAL SIZES & PART No	REMARK

UNLESS OTHERWISE SPECIFIED	SIGNATURES	MO-DA-YR
DIMENSIONS ARE IN MM	DRAWN	
ALL SURFACES 6.3S	CHECKED	
TOLERANCES	APPROVED	
ANGLE		
X		±
.X		± 0.15
.XX		±
FINISH	WORK ORDER NO	
HEAT TREAT		



**HINGE CLAMP**

REF DWG NO.	DWG NO	A3		
---	CHGC-3047GVT_			
SCALE	TOOL	PART	SHEET	OF