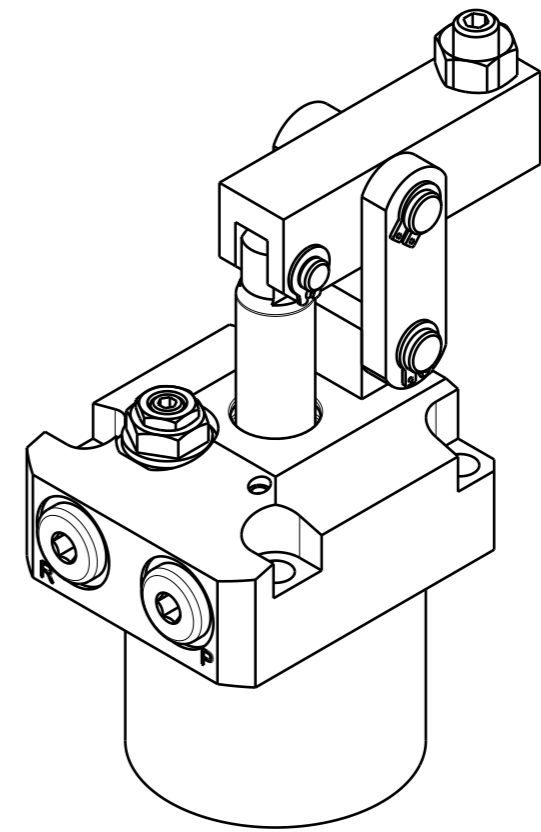
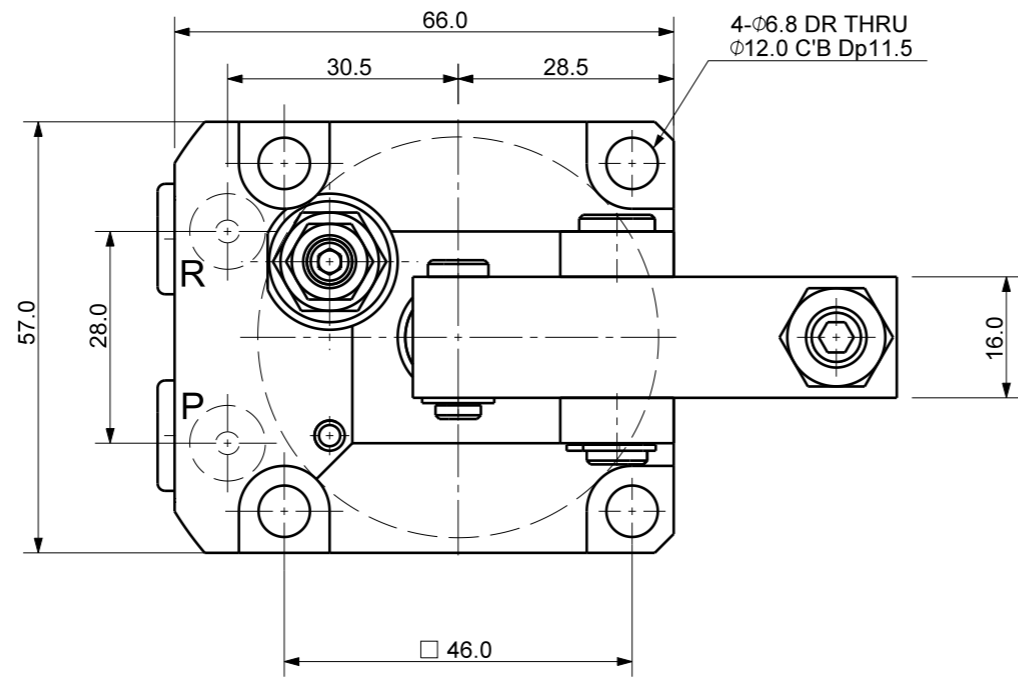
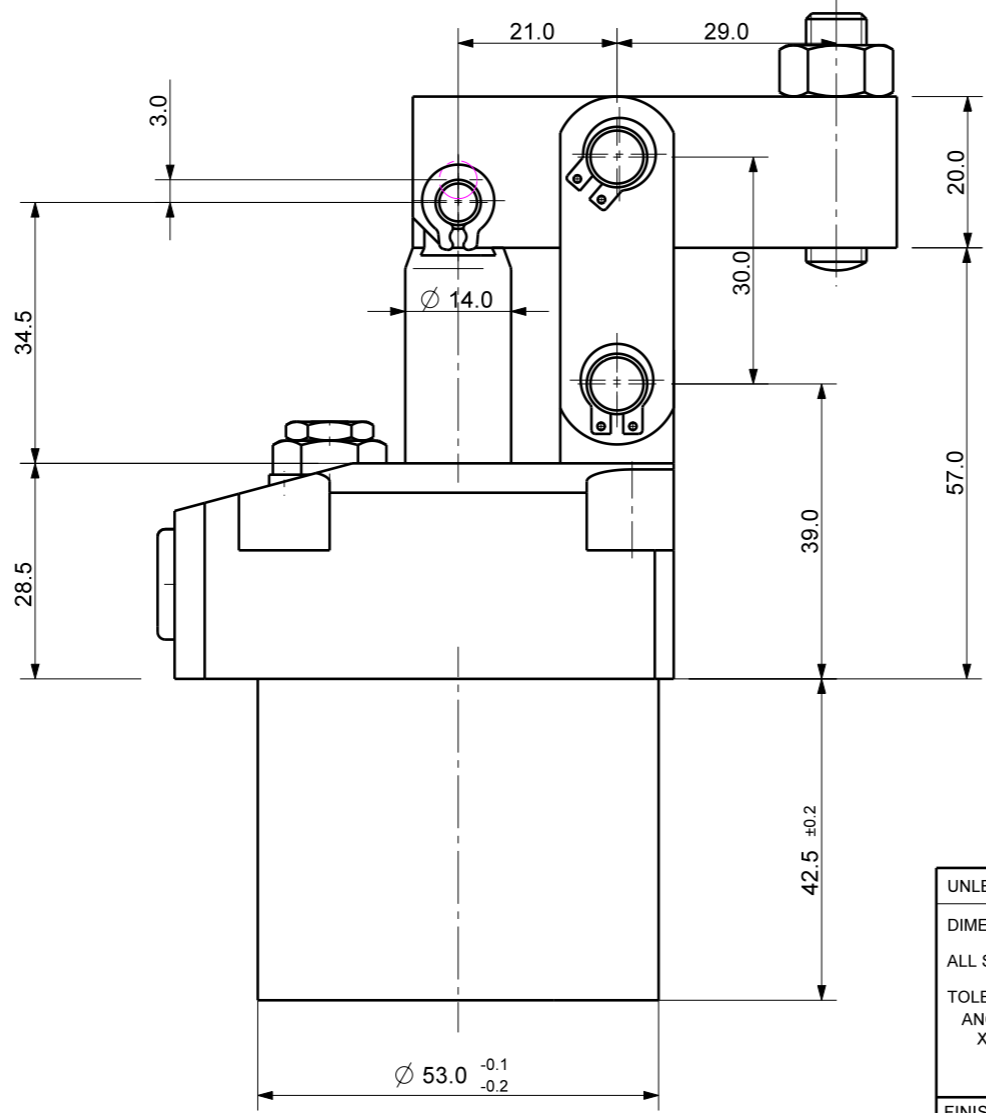
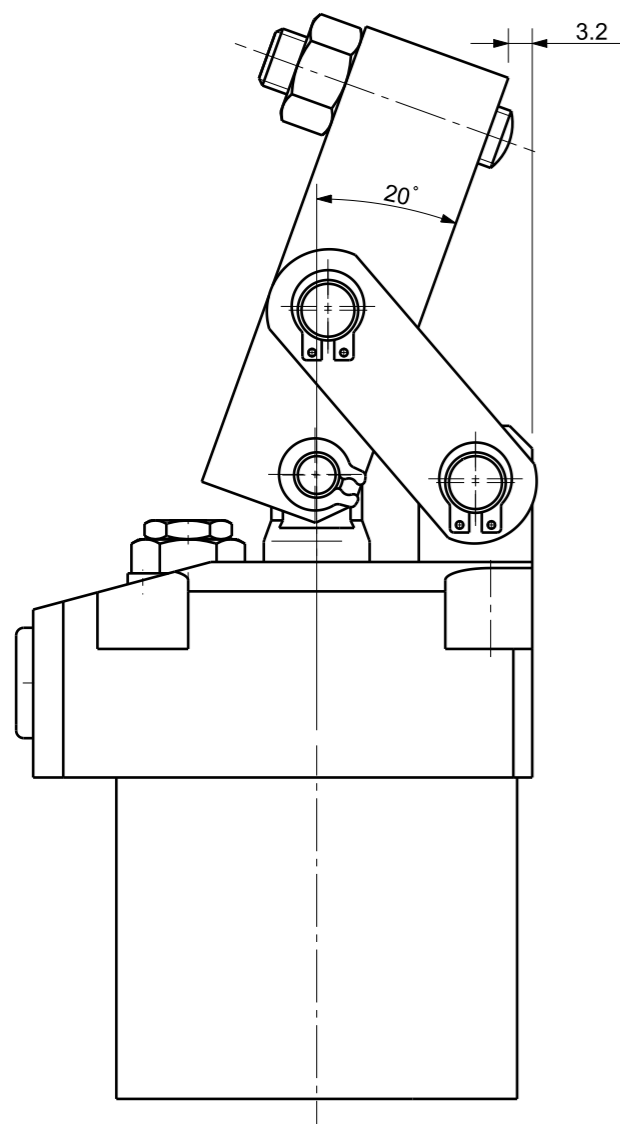


FILE NAME:

REVISIONS				
ZONE	LTR	DESCRIPTION	DATE	APPROVED
△				



Isometric view (3:4)



주 기)
1. 최대 사용압력 : 70 Kg/Cm²

DET. NO	NAME	QTY	MAT'L	FINAL SIZES & PART No	REMARK
UNLESS OTHERWISE SPECIFIED		SIGNATURES		MO-DA-YR	
DIMENSIONS ARE IN MM		DRAWN		TITLE	
ALL SURFACES 6.3S		CHECKED		KJF 케이제이에프(주) TOTAL CLAMPING SYSTEMS	
TOLERANCES		APPROVED		HINGE CLAMP	
ANGLE ±		WORK ORDER NO		REF DWG NO.	
X ±		REF DWG NO. ---		DWG NO. CHGC-3553GVT_A	
.X ± 0.15		HEAT TREAT		SCALE	
.XX ±		FINISH		TOOL <input type="checkbox"/> PART <input type="checkbox"/> SHEET <input type="checkbox"/> OF	
				A3	