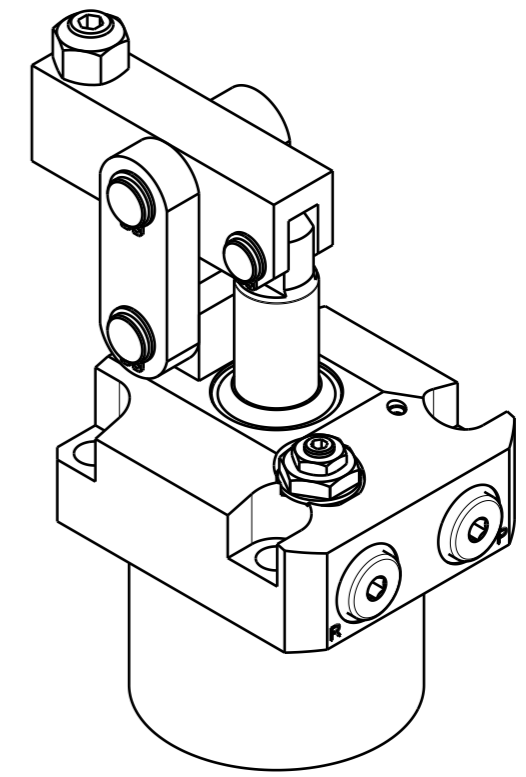
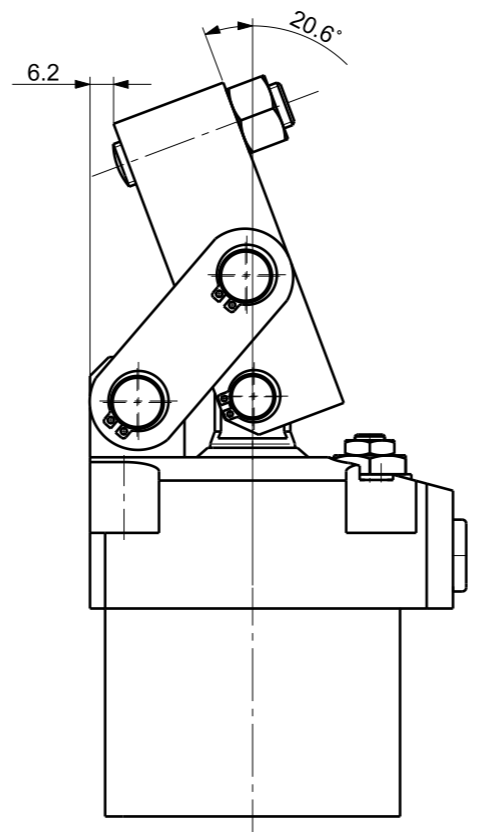
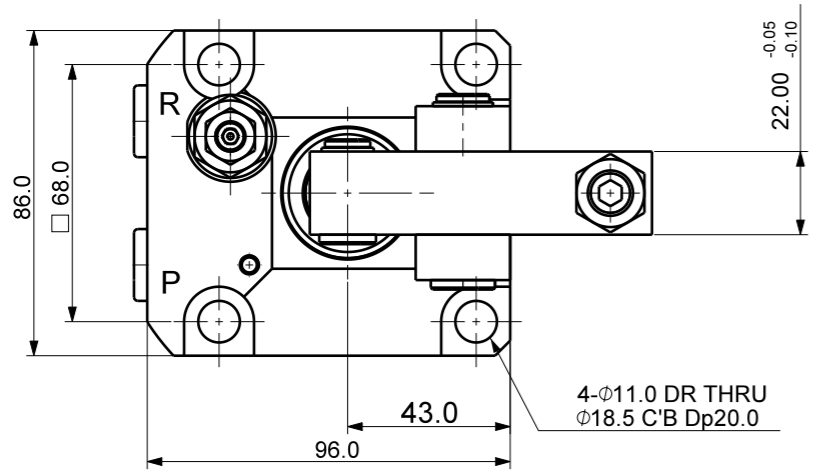


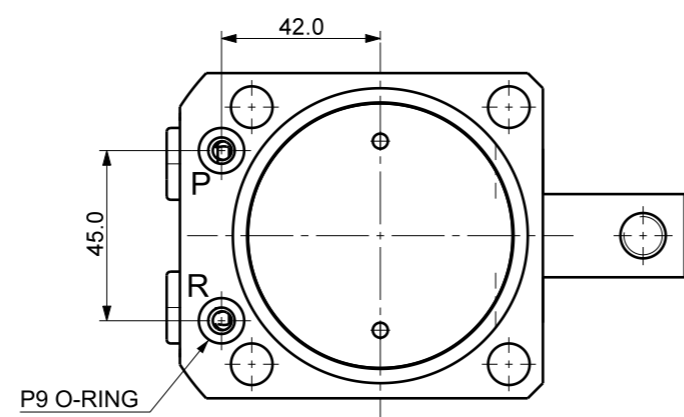
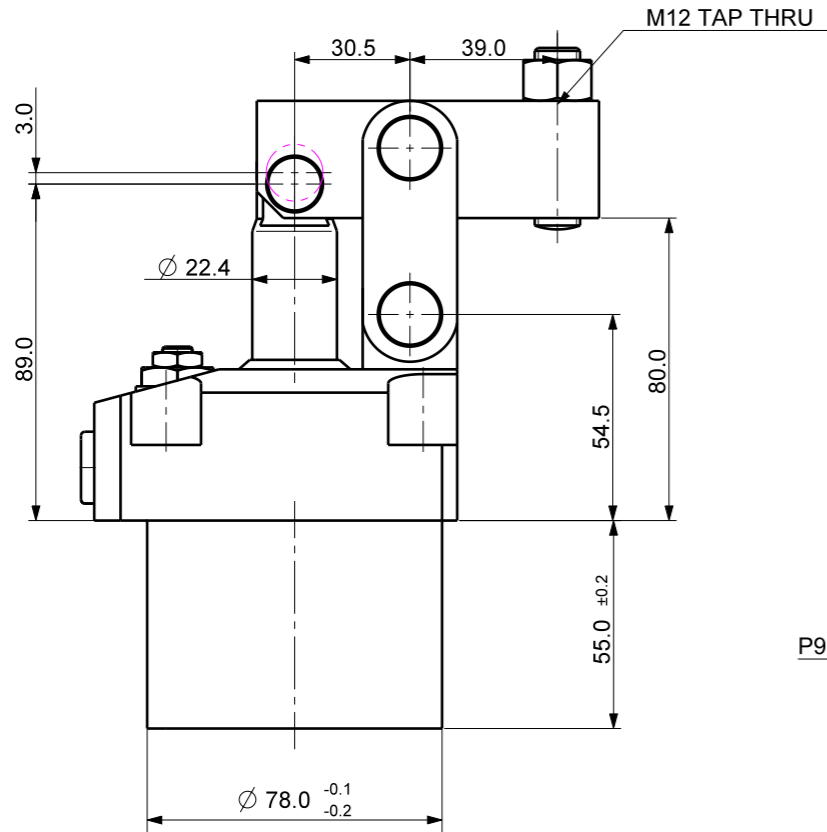
FILE NAME:

REVISIONS

| ZONE | LTR | DESCRIPTION | DATE | APPROVED |
|------|-----|-------------|------|----------|
|------|-----|-------------|------|----------|



Isometric view (1:2)



View "B" (1:2)

"B"

| DET. NO                    | NAME | QTY           | MAT'L | FINAL SIZES & PART No  | REMARK |
|----------------------------|------|---------------|-------|--|--------|
| UNLESS OTHERWISE SPECIFIED |      | SIGNATURES    |       | MO-DA-YR   |        |
| DIMENSIONS ARE IN MM       |      | DRAWN         |       | TITLE  |        |
| ALL SURFACES 6.3S          |      | CHECKED       |       | KJF 케이제이에프(주)<br>TOTAL CLAMPING SYSTEMS                                      |        |
| TOLERANCES                 |      | APPROVED      |       | HINGE CLAMP  |        |
| ANGLE                      |      |               |       | REF DWG NO. ---  |        |
| X ±                        |      |               |       | DWG NO. CHGC-5678GVT_-   |        |
| .X ± 0.15                  |      |               |       | A3   |        |
| .XX ±                      |      |               |       | SCALE / TOOL <input type="checkbox"/> PART <input type="checkbox"/> SHEET OF |        |
| FINISH                     |      | WORK ORDER NO |       |  |        |
| HEAT TREAT                 |      |               |       |  |        |