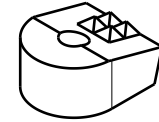
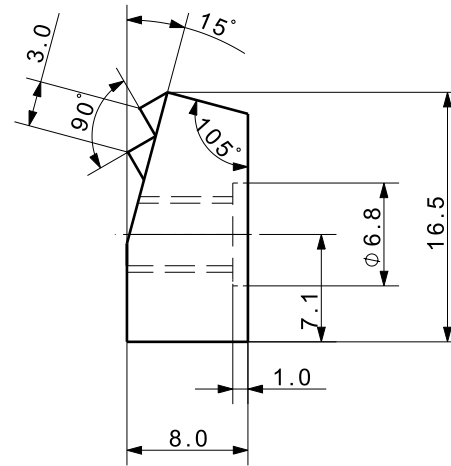
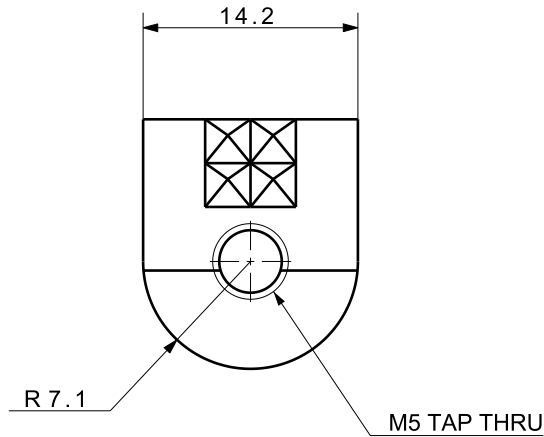

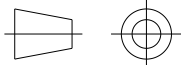


FILE NAME:



Isometric view (1:1)

UNLESS OTHERWISE SPECIFIED		SIGNATURES		MO-DA-YR		 (주)케이제이에프 TOTAL CLAMPING SYSTEMS	
DIMENSIONS ARE IN MM		DRAWN				TITLE	
ALL SURFACES		CHECKED				Tungsten Carbide	
TOLERANCES		APPROVED					
ANGLE	±						
X.	±						
.X	±						
.XX	±						
FINISH		WORK ORDER NO		REF DWG NO.		DWG NO	
				---		CP-13	
HEAT TREAT				SCALE		A4	
				/		TOOL <input type="checkbox"/> PART <input type="checkbox"/> SHEET OF	