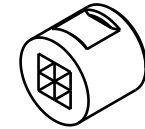
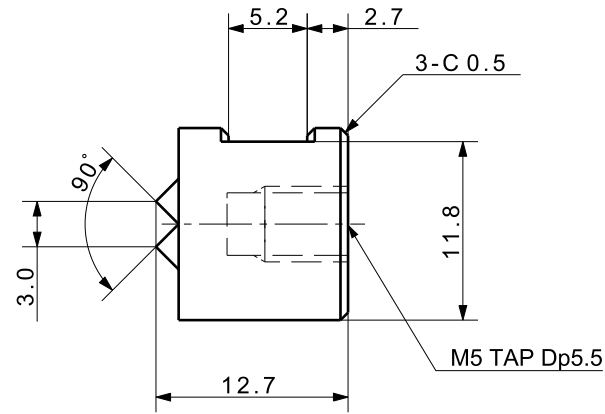
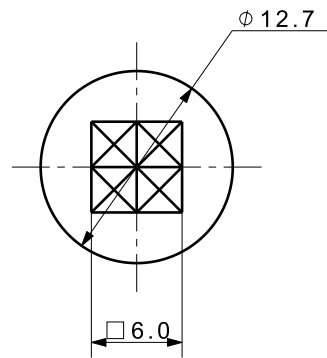



FILE NAME:



Isometric view (1:1)

UNLESS OTHERWISE SPECIFIED DIMENSIONS ARE IN MM ALL SURFACES TOLERANCES ANGLE           ± X                 ± .X                ± .XX              ±	SIGNATURES	MO-DA-YR	 (주)케이제이에프 TOTAL CLAMPING SYSTEMS		
	DRAWN				
	FINISH	CHECKED		TITLE <b>Tungsten Carbide</b>	
HEAT TREAT	APPROVED				
	WORK ORDER NO		REF DWG NO. ---	DWG NO <b>CP-32</b>	<b>A4</b>
			SCALE /	TOOL <input type="checkbox"/> PART <input type="checkbox"/> SHEET	OF