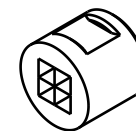
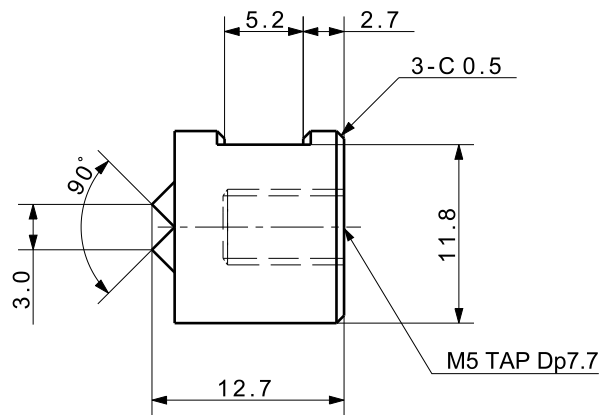
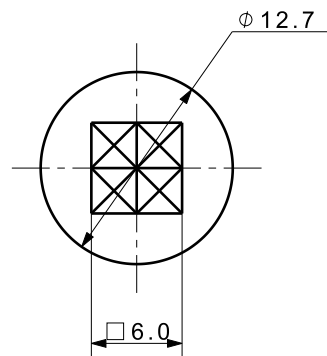



FILE NAME:



Isometric view (1:1)

| | | | | |
|---|---------------|-------------|---|---------------------------|
| UNLESS OTHERWISE SPECIFIED DIMENSIONS ARE IN MM ALL SURFACES TOLERANCES ANGLE ± X ± .X ± .XX ± | SIGNATURES | MO-DA-YR |  (주)케이제이에프 TOTAL CLAMPING SYSTEMS | |
| | DRAWN | | | |
| | CHECKED | | TITLE | <h1>Tungsten Carbide</h1> |
| APPROVED | | | | |
| FINISH | WORK ORDER NO | REF DWG NO. | DWG NO | A4 |
| HEAT TREAT | | --- | CP-32 | |
| | | SCALE | TOOL <input type="checkbox"/> PART <input type="checkbox"/> SHEET | OF |