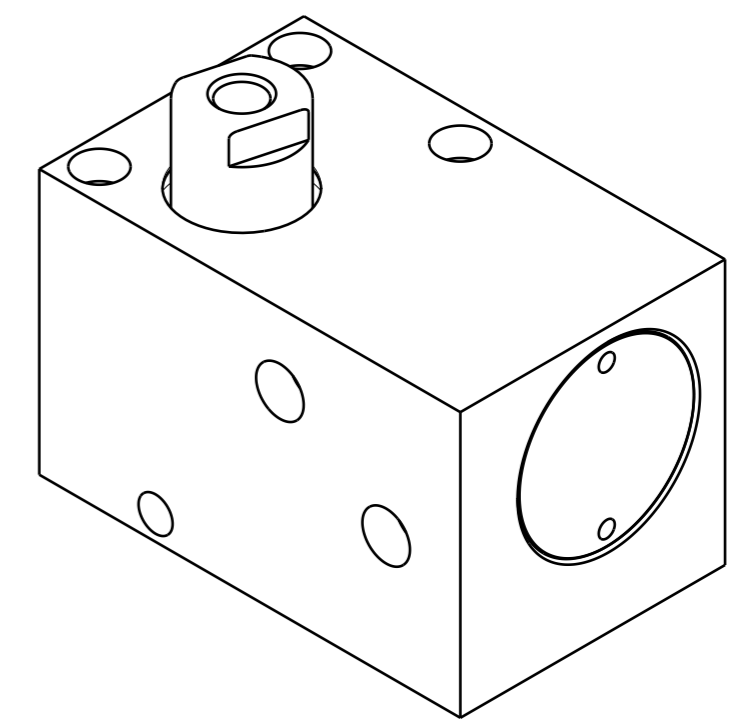
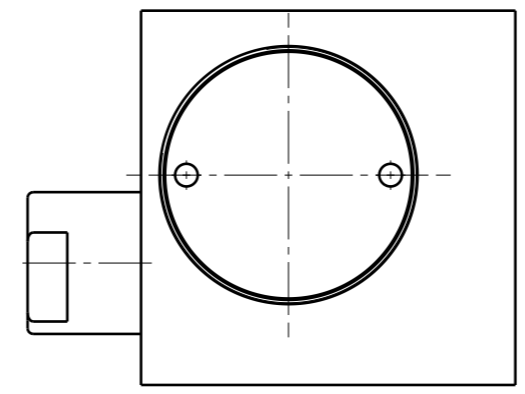
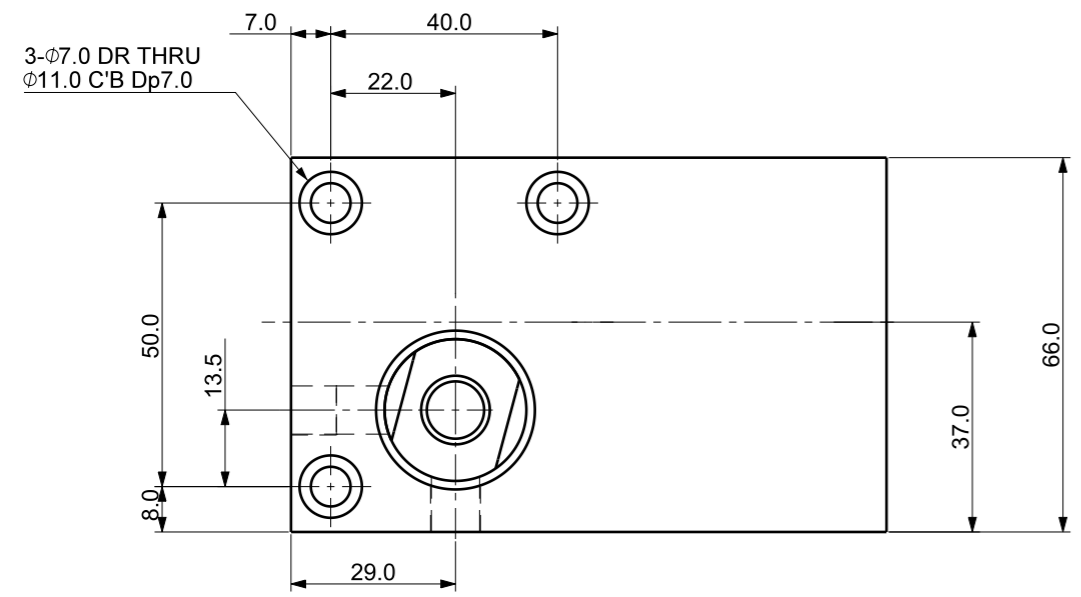
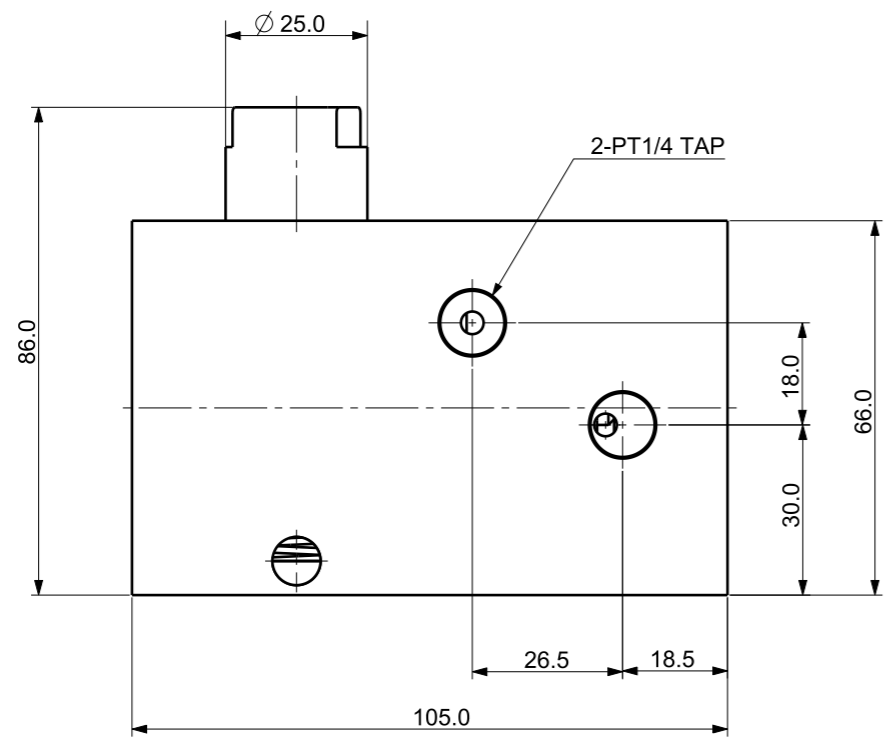


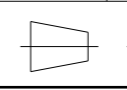
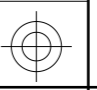
FILE NAME:

REVISIONS				
ZONE	LTR	DESCRIPTION	DATE	APPROVED



Isometric view (3:4)



DET. NO	NAME	QTY	MAT'L	FINAL SIZES & PART No	REMARK
UNLESS OTHERWISE SPECIFIED		SIGNATURES		MO-DA-YR	
DIMENSIONS ARE IN MM		DRAWN		TITLE	
ALL SURFACES 6.3S		CHECKED		KJF 케이제이에프(주) TOTAL CLAMPING SYSTEMS	
TOLERANCES		APPROVED		WORK SUPPORT	
ANGLE		 		REF DWG NO. ---	
X. \pm		WORK ORDER NO		DWG NO. CWD-4010	
.X \pm 0.15				A3	
.XX \pm				SCALE / TOOL <input type="checkbox"/> PART <input type="checkbox"/> SHEET OF	
FINISH					
HEAT TREAT					