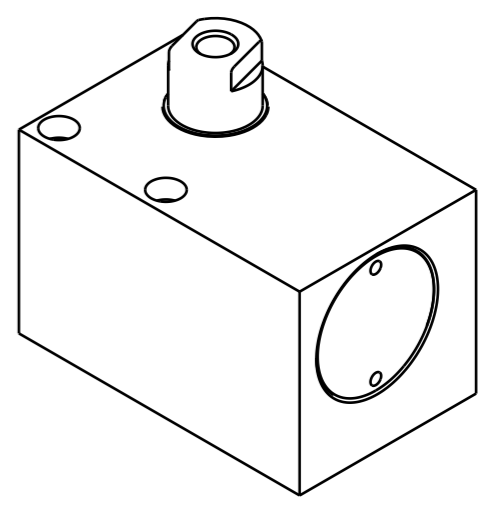
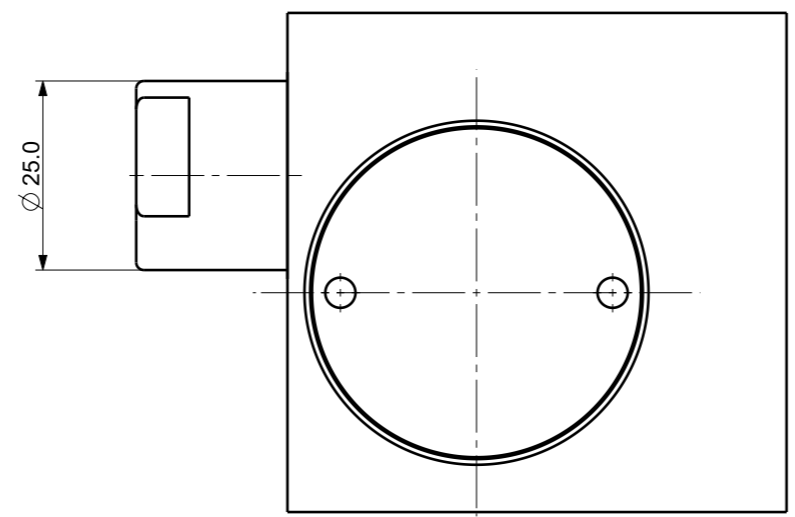
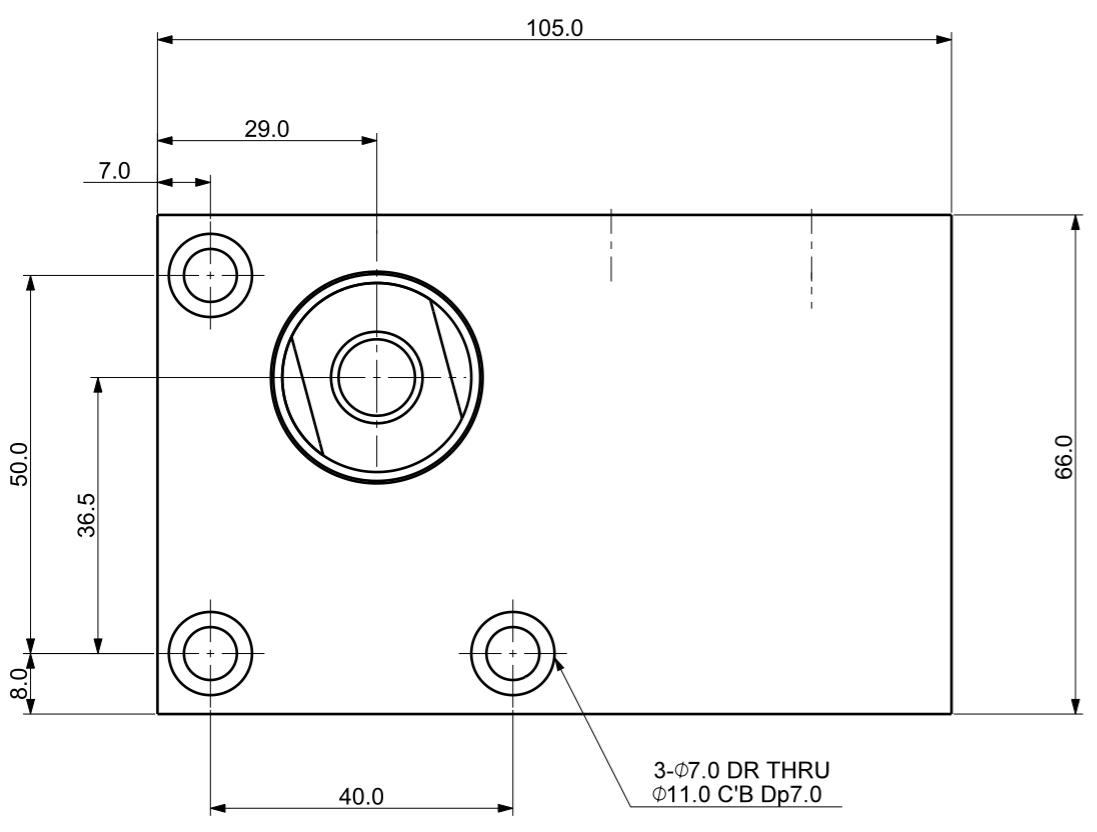
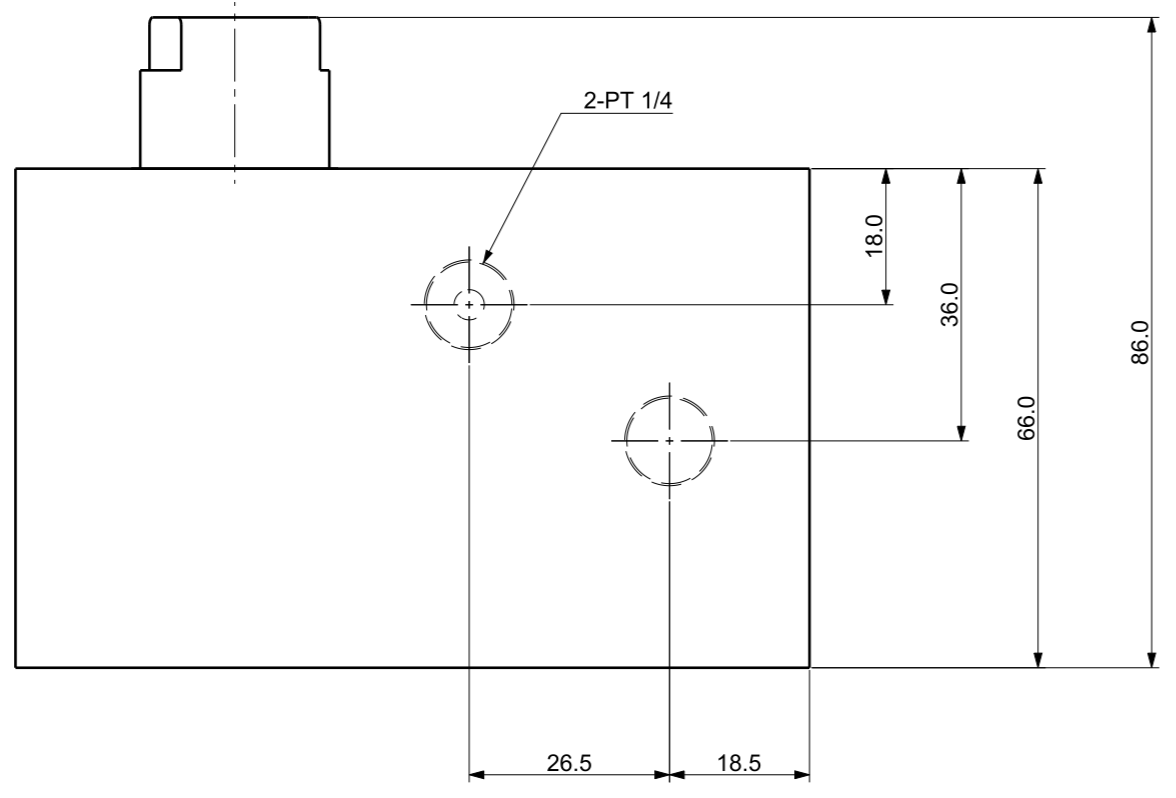


| REVISIONS | | | | |
|-----------|-----|-------------|------|----------|
| ZONE | LTR | DESCRIPTION | DATE | APPROVED |
| | | | | |



Isometric view (1:2)



| DET.NO | NAME | QTY | MAT'L | FINAL SIZES | REMARK |
|--------|------|-----|-------|-------------|--------|
| | | | | | |

| | | | |
|----------------------------|---------------|----------|--|
| UNLESS OTHERWISE SPECIFIED | SIGNATURES | MO-DA-YR | |
| DIMENSIONS ARE IN MM | DRAWN | | |
| ALL SURFACES | CHECKED | | |
| TOLERANCES | APPROVED | | |
| ANGLE | | | TITLE |
| X ± | | | WORK SUPPORT |
| .X ± | | | REF DWG NO. |
| .XX ± | | | DWG NO |
| FINISH | WORK ORDER NO | | CWD-4011 |
| HEAT TREAT | | | A3 |
| | | | SCALE / TOOL <input type="checkbox"/> PART <input type="checkbox"/> SHEET OF |