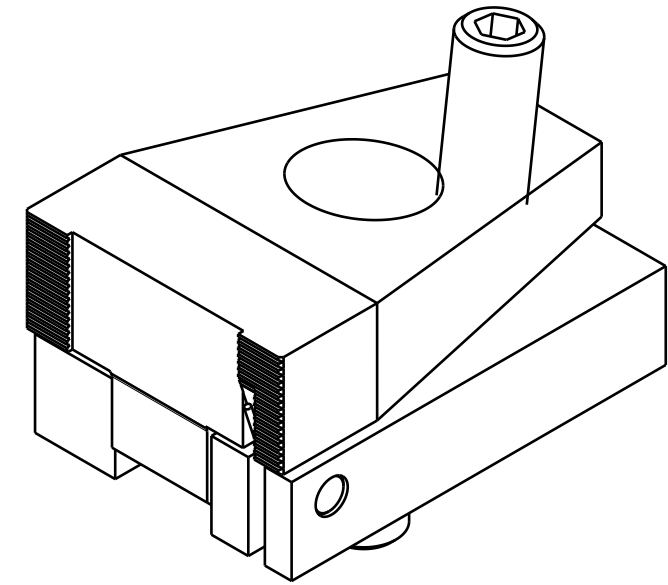
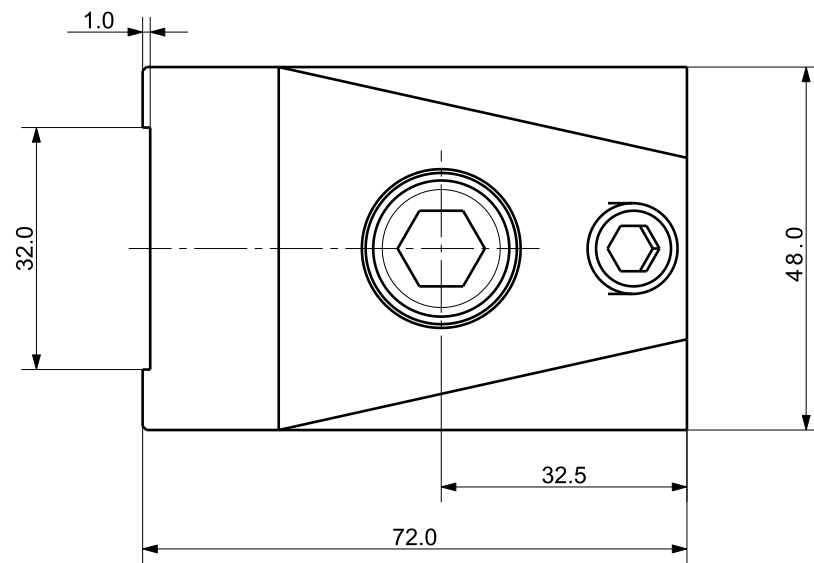
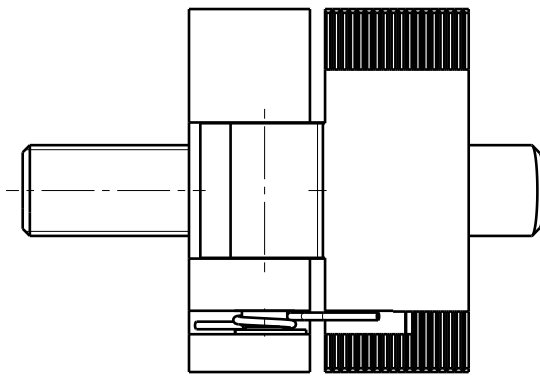
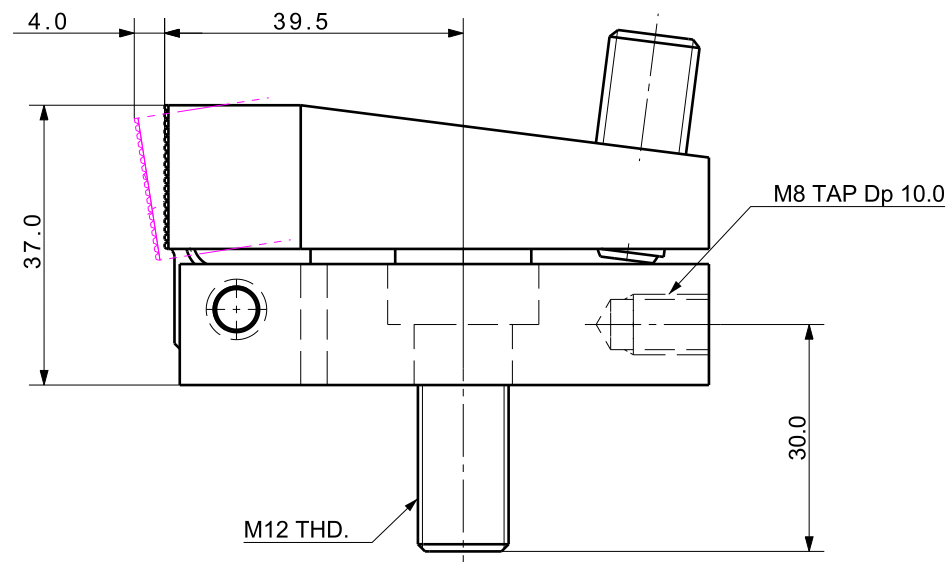


FILE NAME:

REVISIONS				
ZONE	LTR	DESCRIPTION	DATE	APPROVED



Isometric view (1:1)



DET. NO	NAME	QTY	MAT'L	FINAL SIZES & PART No	REMARK

UNLESS OTHERWISE SPECIFIED	SIGNATURES	MO-DA-YR	
DIMENSIONS ARE IN MM	DRAWN KHJ	07-13-23	
ALL SURFACES 6.3S	CHECKED		
TOLERANCES	APPROVED		TITLE
ANGLE			<b>DOWN HOLD CLAMP</b>
.X ±			
.XX ± 0.15			
FINISH	WORK ORDER NO	REF DWG NO.	DWG NO.
		---	DHC-1200S_S01
HEAT TREAT		SCALE	TOOL <input type="checkbox"/> PART <input type="checkbox"/> SHEET OF
			A3