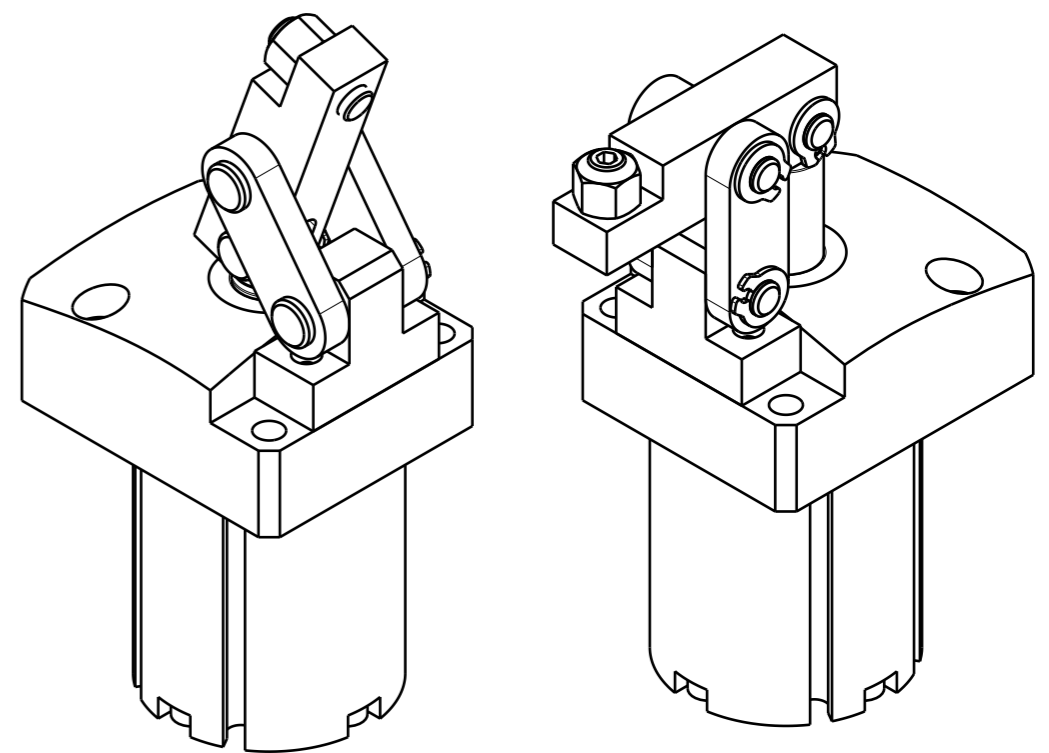
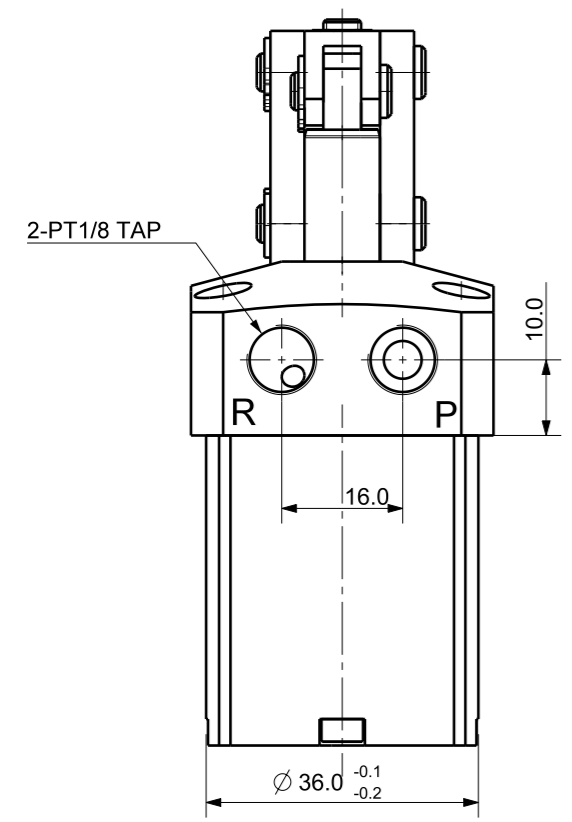
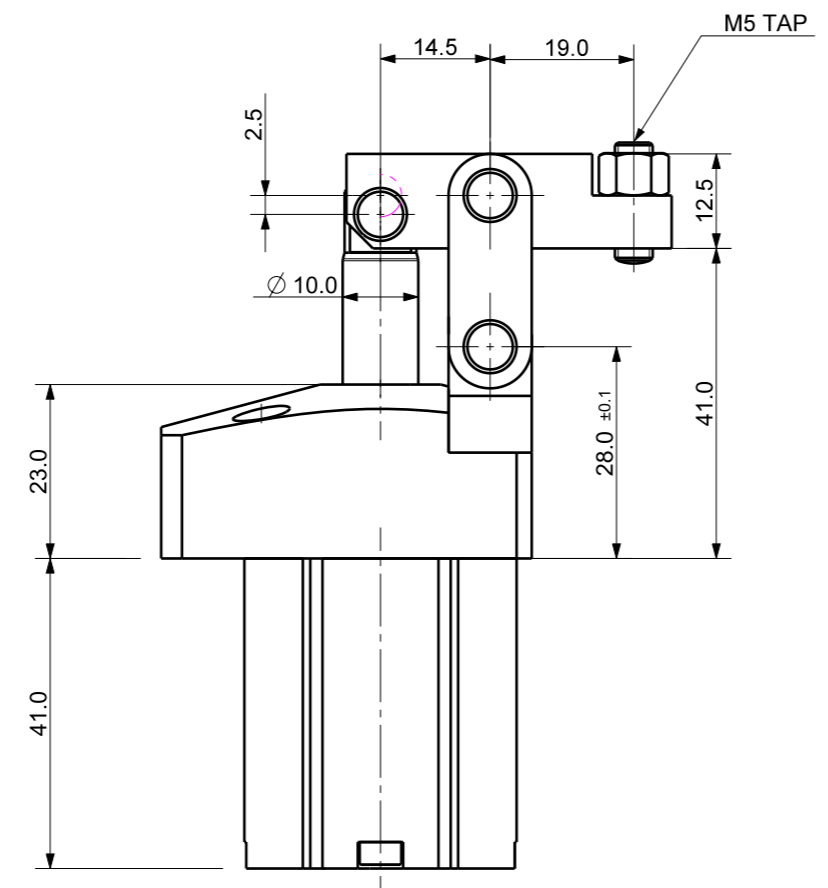
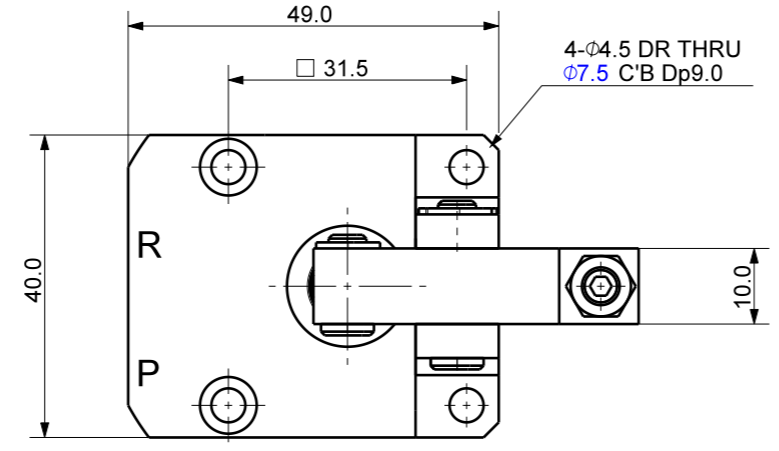


FILE NAME:

REVISIONS

ZONE	LTR	DESCRIPTION	DATE	APPROVED
△				
△				



Isometric view (1:1)

DET. NO	NAME	QTY	MAT'L	FINAL SIZES & PART No	REMARK

UNLESS OTHERWISE SPECIFIED	SIGNATURES	MO-DA-YR
DIMENSIONS ARE IN MM	DRAWN	
ALL SURFACES 6.3S	CHECKED	
TOLERANCES	APPROVED	
ANGLE ±		
X ±		
.X ± 0.15		
.XX ±		
FINISH	WORK ORDER NO	
HEAT TREAT		

**KJF** 케이제이에프(주)  
TOTAL CLAMPING SYSTEMS

TITLE  
**HYD HINGE CLAMP**

REF DWG NO. --- DWG NO. **HGC-2036AE\_-** A3

SCALE / TOOL  PART  SHEET OF