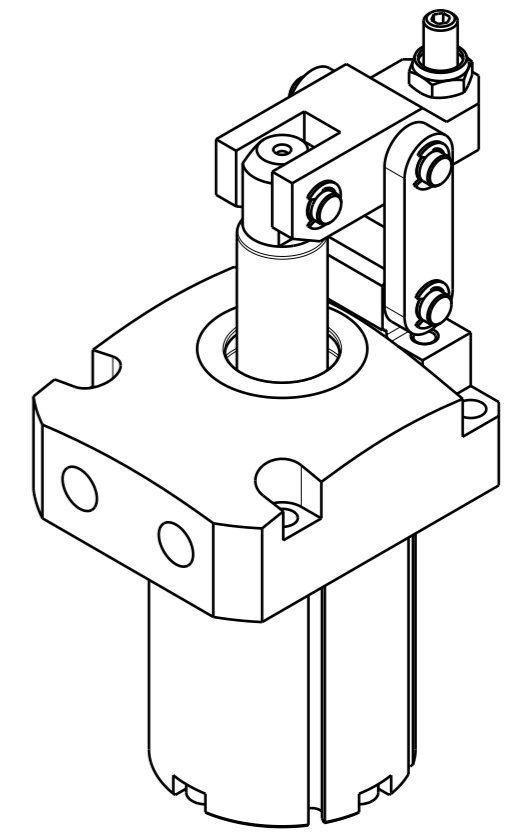
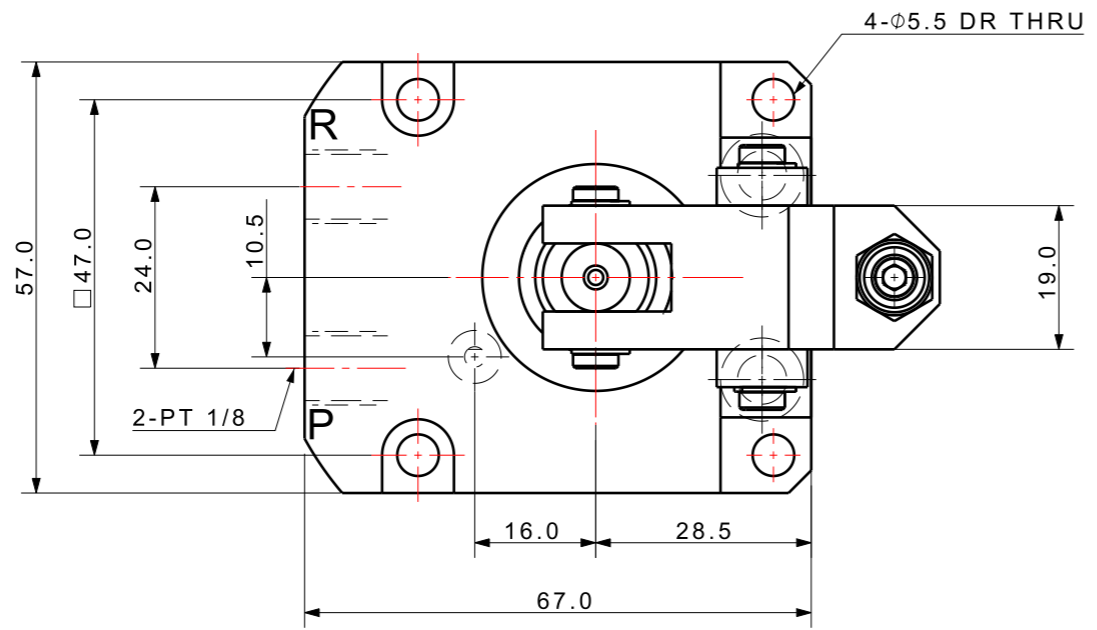


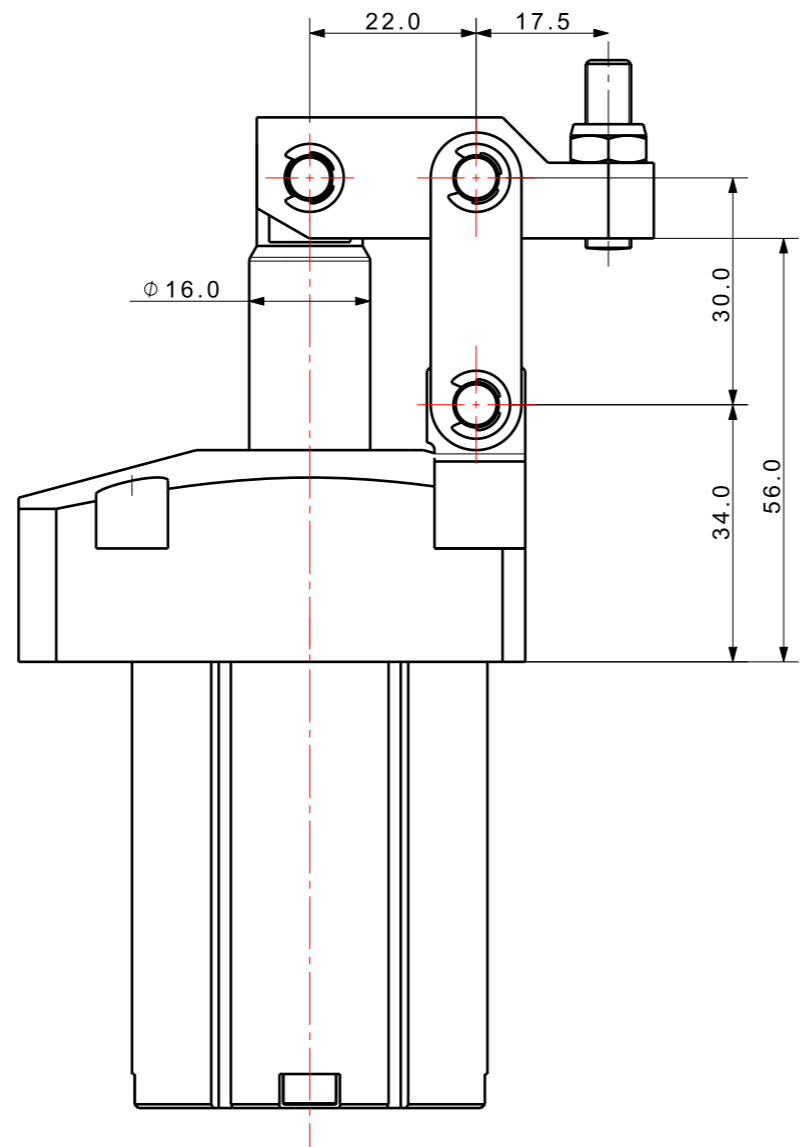
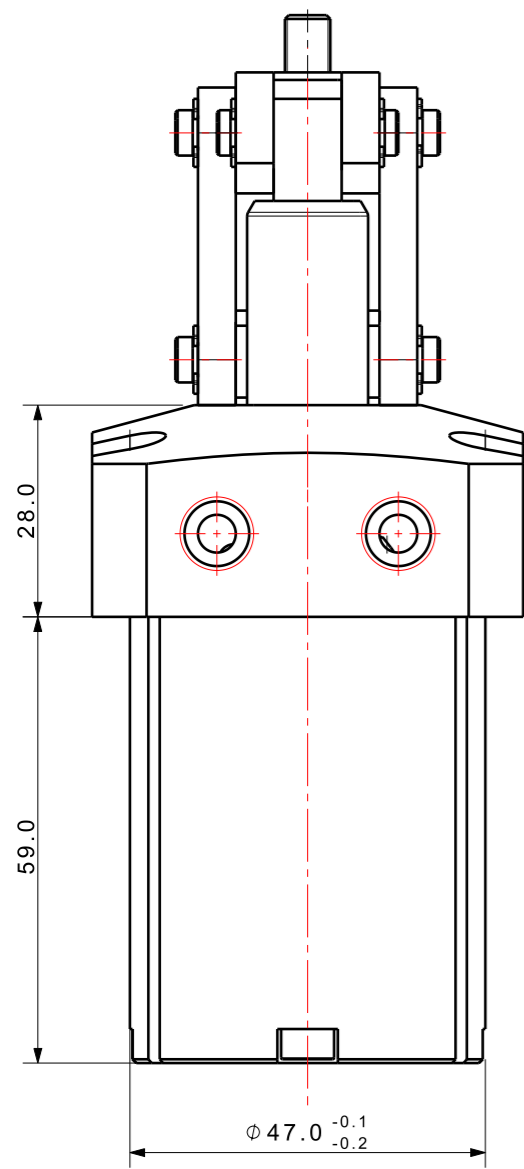
FILE NAME:

REVISIONS

ZONE	LTR	DESCRIPTION	DATE	APPROVED



Isometric view (3:4)



DET. NO	NAME	QTY	MAT'L	FINAL SIZES & PART No	REMARK
UNLESS OTHERWISE SPECIFIED		SIGNATURES		MO-DA-YR	
DIMENSIONS ARE IN MM		DRAWN		TITLE	
ALL SURFACES 6.3S		CHECKED		KJF (주)케이제이에프 TOTAL CLAMPING SYSTEMS	
TOLERANCES		APPROVED		AIR HINGE CLAMP	
ANGLE				REF DWG NO.	
X ±				DWG NO	
.X ± 0.15				HGC-2547AE	
.XX ±				A3	
FINISH		WORK ORDER NO		SCALE	
---		---		TOOL <input type="checkbox"/> PART <input type="checkbox"/> SHEET <input type="checkbox"/> OF	
HEAT TREAT		---		---	