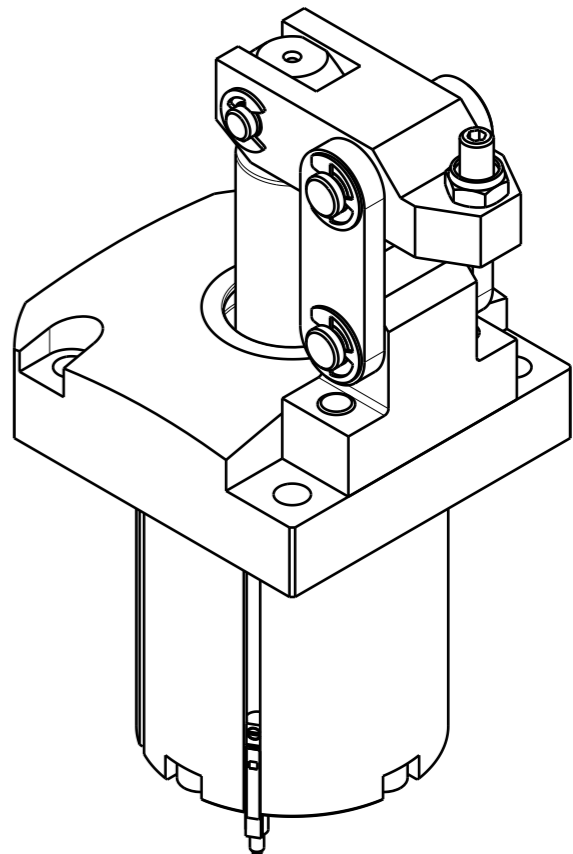


| REVISIONS |     |             |      |          |
|-----------|-----|-------------|------|----------|
| ZONE      | LTR | DESCRIPTION | DATE | APPROVED |
|           |     |             |      |          |



Isometric view (3:4)

| DET. NO | NAME | QTY | MAT'L | FINAL SIZES & PART No | REMARK |
|---------|------|-----|-------|-----------------------|--------|
|         |      |     |       |                       |        |

|                            |               |          |   |            |      |       |    |
|----------------------------|---------------|----------|---|------------|------|-------|----|
| UNLESS OTHERWISE SPECIFIED | SIGNATURES    | MO-DA-YR | <br>(주)케이제이에프<br>TOTAL CLAMPING SYSTEMS |            |      |       |    |
| DIMENSIONS ARE IN MM       | DRAWN         |          |   |            |      |       |    |
| ALL SURFACES 6.3S          | CHECKED       |          |   |            |      |       |    |
| TOLERANCES                 | APPROVED      |          | TITLE                                   |            |      |       |    |
| ANGLE                      |               |          | <b>AIR HINGE CLAMP</b>                  |            |      |       |    |
| .X ±                       |               |          |   |            |      |       |    |
| .X ± 0.15                  |               |          | REF DWG NO.                             |            |      |       |    |
| .XX ±                      |               |          | DWG NO.                                 |            |      |       |    |
| FINISH                     | WORK ORDER NO |          | ---                                     | HGC-3255AE | A3   |       |    |
| HEAT TREAT                 |               |          | SCALE                                   | TOOL       | PART | SHEET | OF |