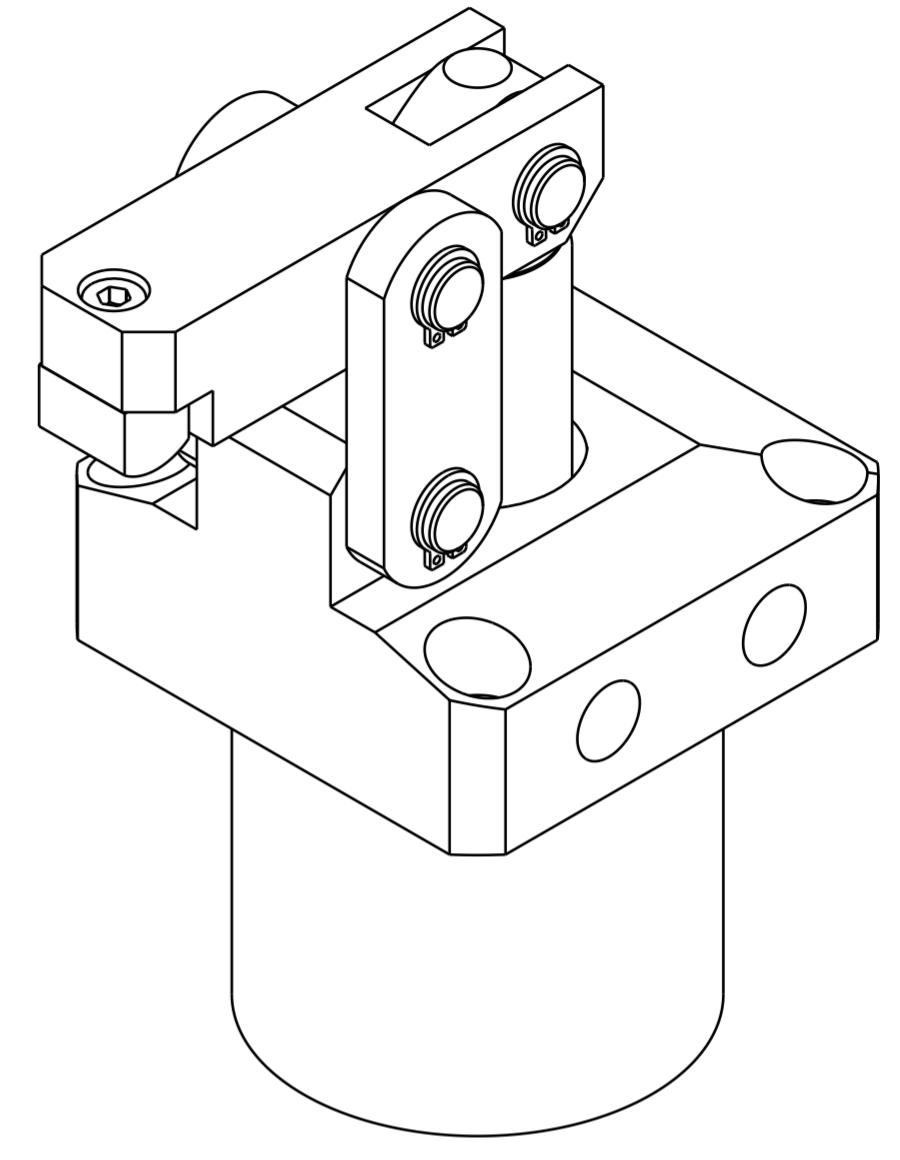
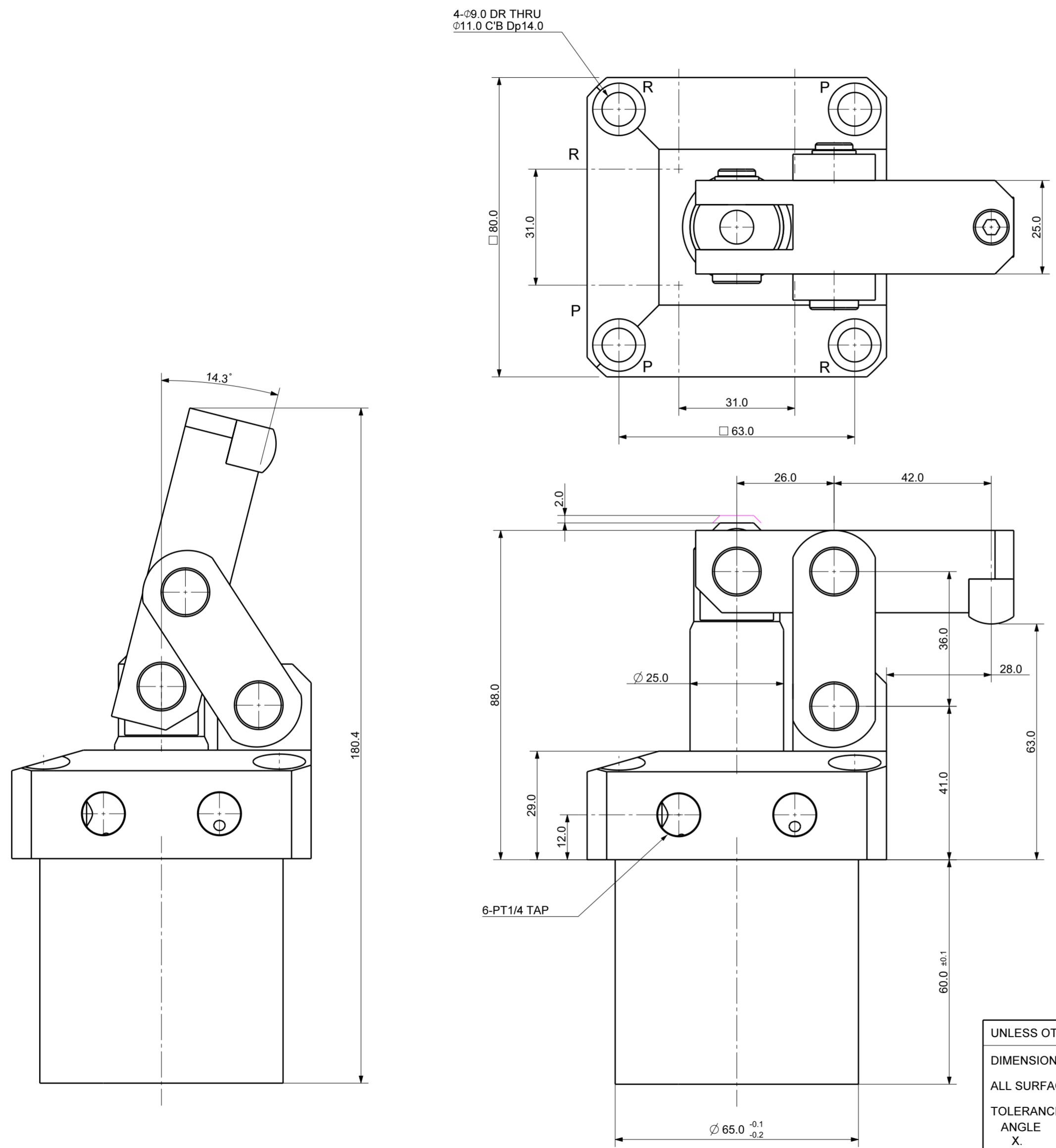



FILE NAME:



Isometric view (1:1)

UNLESS OTHERWISE SPECIFIED	SIGNATURES		MO-DA-YR		 <b>(주)케이제이에프</b> TOTAL CLAMPING SYSTEMS
	DRAWN ---				
DIMENSIONS ARE IN MM	CHECKED				<b>HINGE CLAMP</b>
ALL SURFACES	APPROVED				
TOLERANCES					
ANGLE	±				
.X	±				
.X	±				
.XX	±				
FINISH	WORK ORDER NO		REF DWG NO.	DWG NO	<b>A2</b>
HEAT TREAT			-	<b>HGC-4005</b>	
SCALE		TOOL <input type="checkbox"/> PART <input type="checkbox"/> SHEET <input type="checkbox"/>		OF	