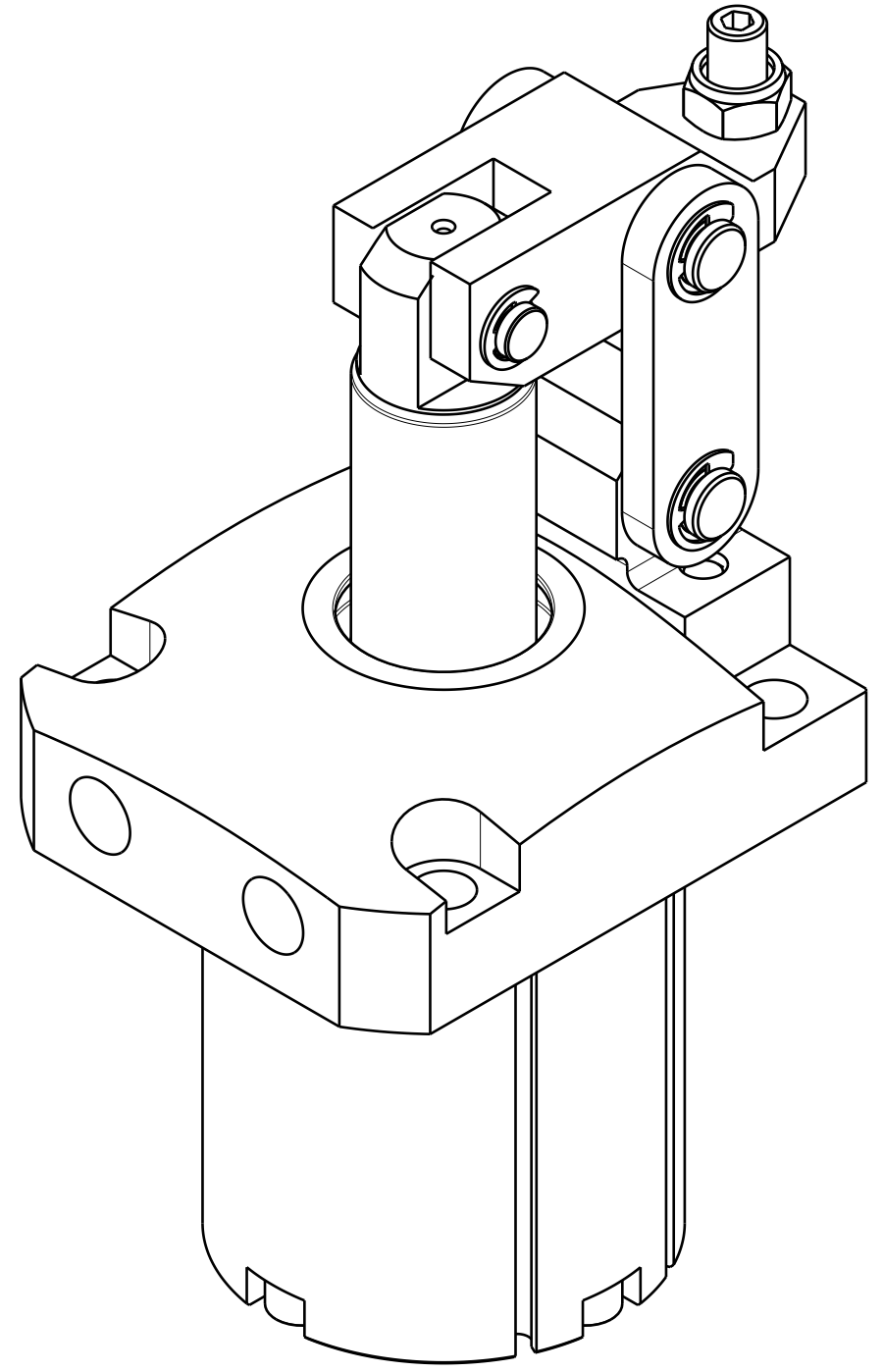
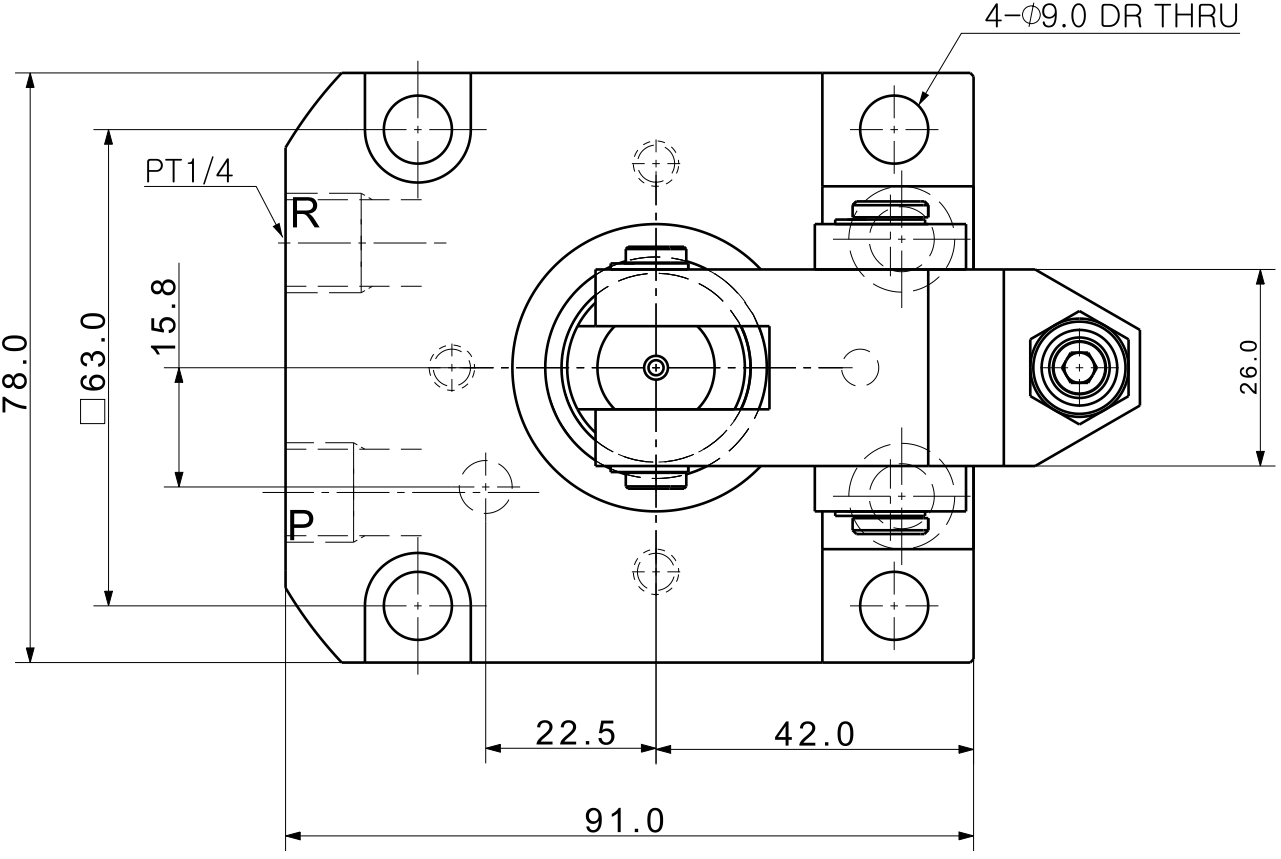
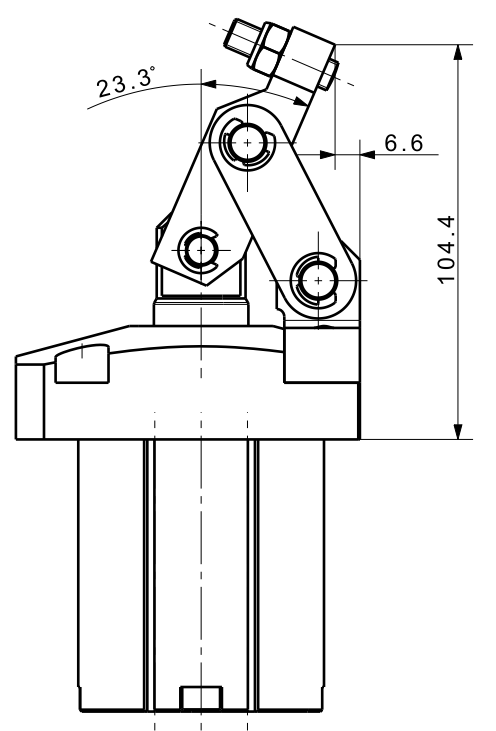
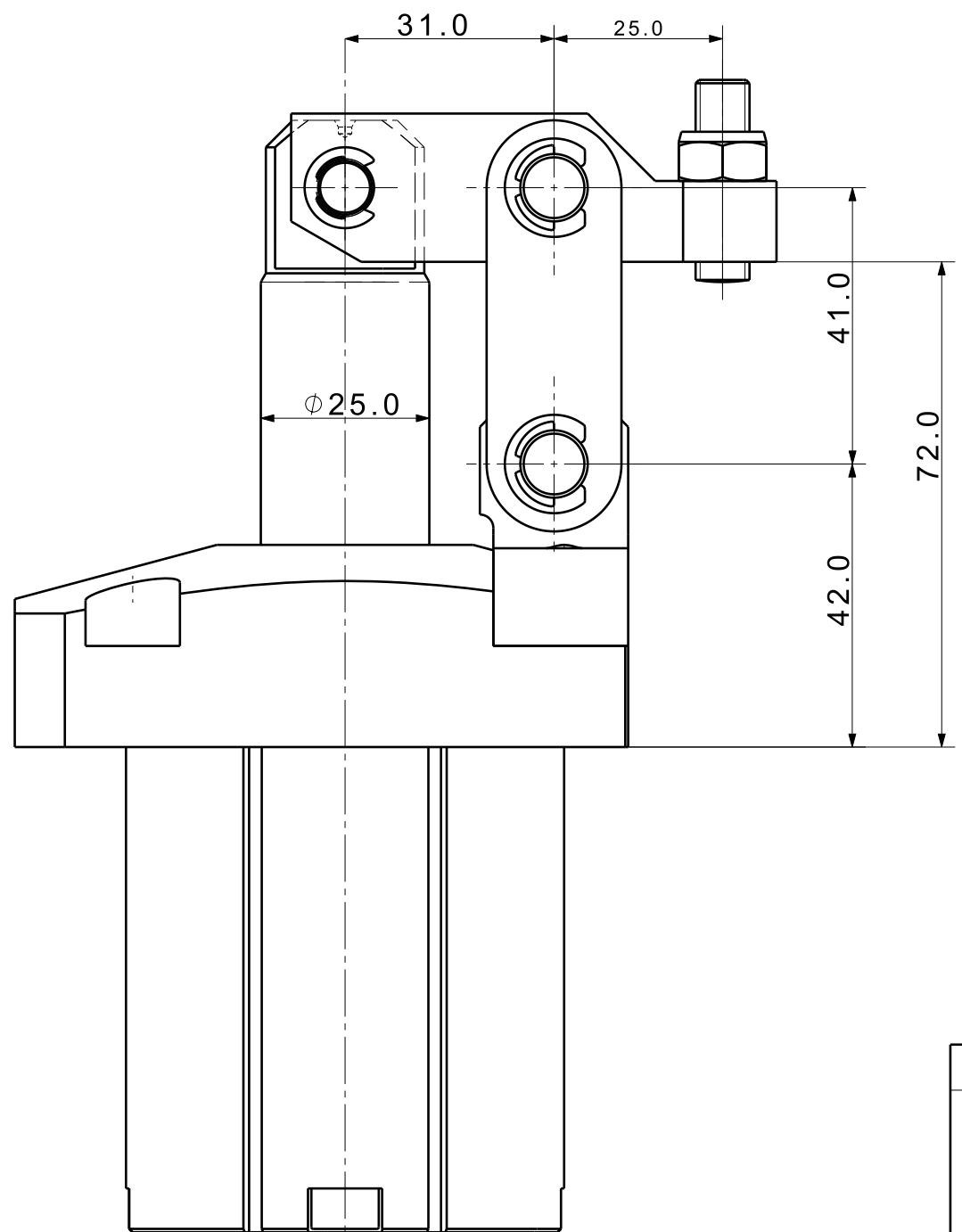
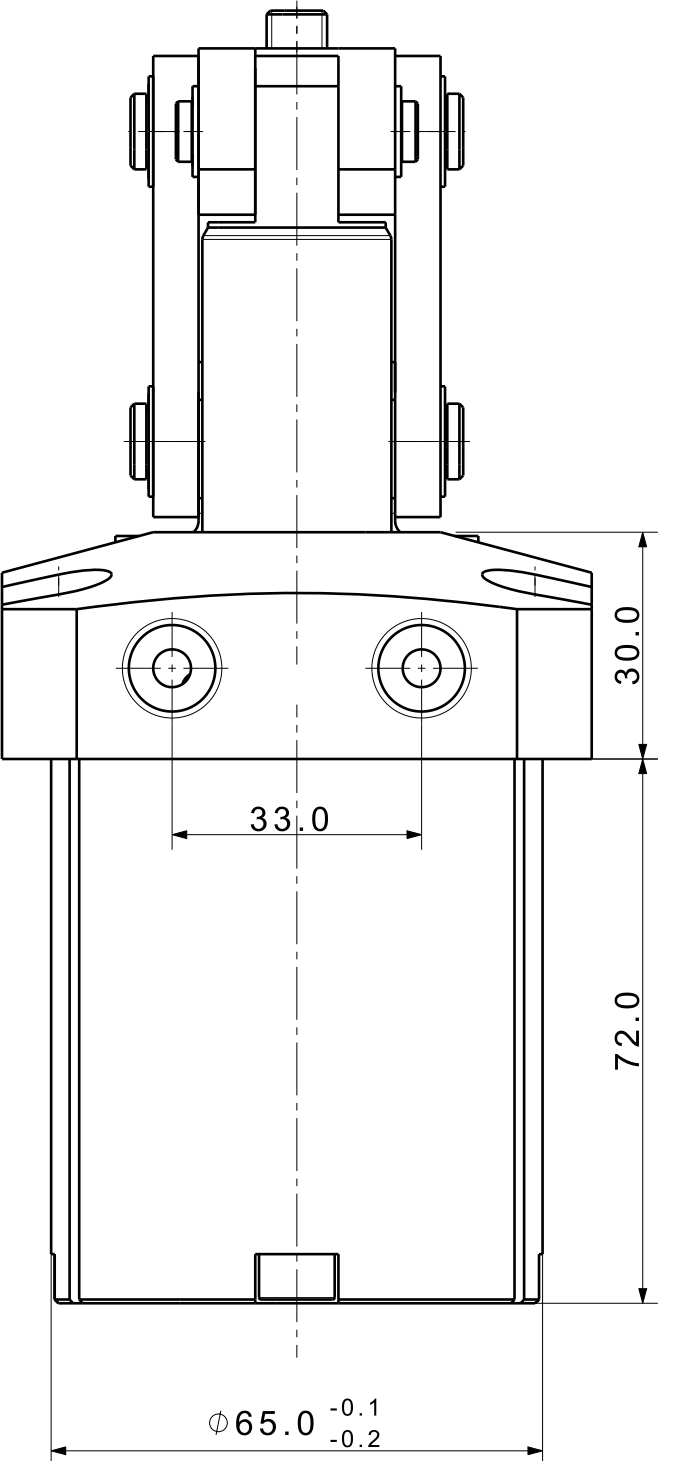


FILE NAME:

REVISIONS				
ZONE	LTR	DESCRIPTION	DATE	APPROVED



Isometric view (1:1)



DET. NO	NAME	Q'TY	MAT'L	FINAL SIZES & PART No	REMARK

UNLESS OTHERWISE SPECIFIED	SIGNATURES	MO-DA-YR	 <b>AIR HINGE CLAMP</b>		
DIMENSIONS ARE IN MM	DRAWN				
ALL SURFACES 6.3s	CHECKED				
TOLERANCES	APPROVED				
ANGLE					
.X					
.X					
.XX					
FINISH	WORK ORDER NO	REF DWG NO.	DWG NO	<b>A2</b>	
HEAT TREAT			HGC-4065AE_-		
		SCALE	TOOL	PART	SHEET